

10411Y

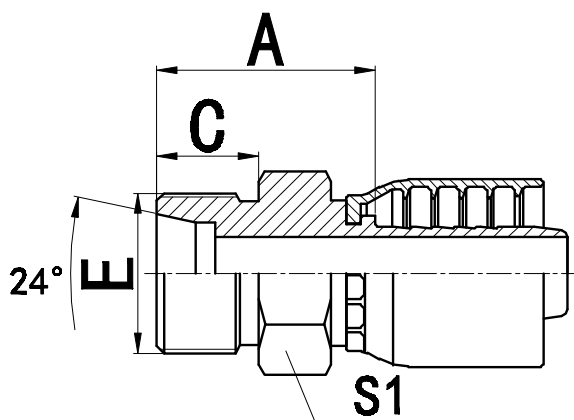
公制外螺纹24°内锥面轻系列

METRIC MALE 24° CONE SEAT L.T.DIN 3853

序号 SN	产品代号 PART NO.	螺纹 E THREAD E	胶管 HOSE BORE		硬管外径 TUBE O.D.	尺寸 DIMENSIONS		
			公称内径 DN	标号 DASH		A	C	S1
1	10411Y-14-04	M14X1.5	6	04	8	20.5	10	14
2	10411Y-16-04	M16X1.5	6	04	10	22.5	11	17
3	10411Y-16-05	M16X1.5	8	05	10	22.5	11	17
4	10411Y-18-06	M18X1.5	10	06	12	22.5	11	19
5	10411Y-22-08	M22X1.5	13	08	15	26	12	24
6	10411Y-26-10	M26X1.5	16	10	18	27	12	27
7	10411Y-30-12	M30X2	19	12	22	30	14	32
8	10411Y-36-16	M36X2	25	16	28	31.5	14	41
9	10411Y-45-20	M45X2	32	20	35	37	16	46
10	10411Y-52-24	M52X2	38	24	42	38	16	55

注：表中代号用于编织软管，如用于缠绕软管代号改为10412Y-XX-XX。

Note: NO. in table match with braided hose. No. of 10412Y-XX match with spiral hose.



10511Y

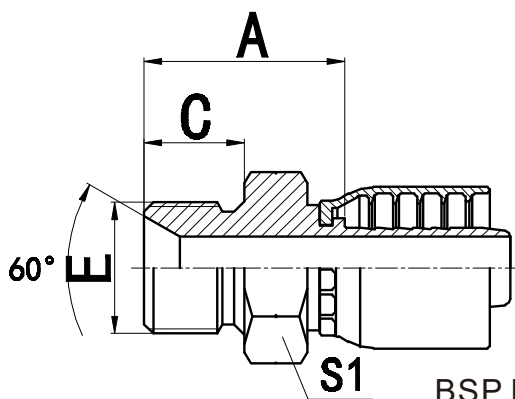
公制外螺纹24°内锥面重系列

METRIC MALE 24° CONE SEAT H.T.DIN 3853

序号 SN	产品代号 PART NO.	螺纹 E THREAD E	胶管HOSE BORE		硬管外径 TUBE O.D.	尺寸 DIMENSIONS		
			公称内径 DN	标号 DASH		A	C	S1
1	10511Y-14-04	M14X1.5	6	04	6	24.5	12	14
2	10511Y-16-04	M16X1.5	6	04	8	26.5	12	17
3	10511Y-18-04	M18X1.5	6	04	10	26.5	12	19
4	10511Y-18-06	M18X1.5	10	06	10	26.5	12	19
5	10511Y-20-06	M20X1.5	10	06	12	26.5	12	22
6	10511Y-22-08	M22X1.5	13	08	14	31	14	24
7	10511Y-24-08	M24X1.5	13	08	16	31.5	14	27
8	10511Y-30-10	M30X2	16	10	20	35	16	32
9	10511Y-36-16	M36X2	25	16	25	41.5	18	41
10	10511Y-42-16	M42X2	25	16	30	44	20	46
11	10511Y-52-20	M52X2	32	20	38	50	22	55

注：表中代号用于编织软管，如用于缠绕软管代号改为10512Y-XX-XX。

Note: NO. in table match with braided hose. No. of 10512Y-XX match with spiral hose.



12611AY

英管外螺纹60°内锥面或六角端面用组合垫密封

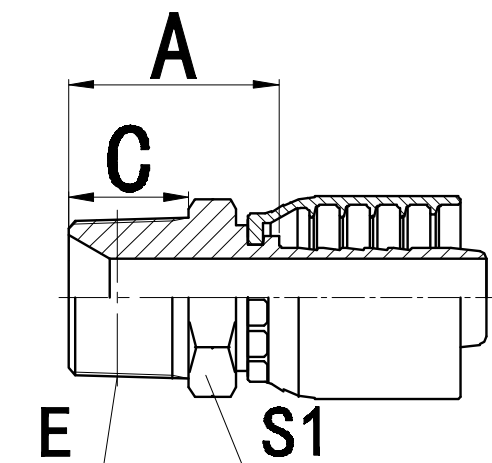
BSP MALE DOUBLE USE FOR 60° CONE SEAT OR BONDED

序号 SN	产品代号 PART NO.	螺纹 E THREAD E	胶管 HOSE BORE		尺寸 DIMENSIONS		
			公称内径 DN	标号 DASH	A	C	S1
1	12611AY-04-04	G1/4"X19	6	04	24.5	12	19
2	12611AY-06-06	G3/8"X19	10	06	28	13.5	22
3	12611AY-08-08	G1/2"X14	13	08	33	16	27
4	12611AY-12-12	G3/4"X14	19	12	37.5	18.5	32
5	12611AY-16-12	G1"X11	19	12	42.5	20.5	41
6	12611AY-16-16	G1"X11	25	16	43.5	20.5	41
7	12611AY-20-16	G1.1/4"X11	25	16	45.5	20.5	50
8	12611AY-20-20	G1.1/4"X11	32	20	46.5	20.5	50
9	12611AY-24-24	G.1/2"X11	38	24	49	23	55
10	12611AY-32-32	G2"X11	50	32	53.5	25.5	70

注1：该系列的密封型式可采用60°锥面密封，也可在六角端面放组合垫密封。

注2：表中代号用于编织软管，如用于缠绕软管代号改为12612AY-XX-XX。

Note: NO. in table match with braided hose. P/N 12612AY-XX match with spiral hose.

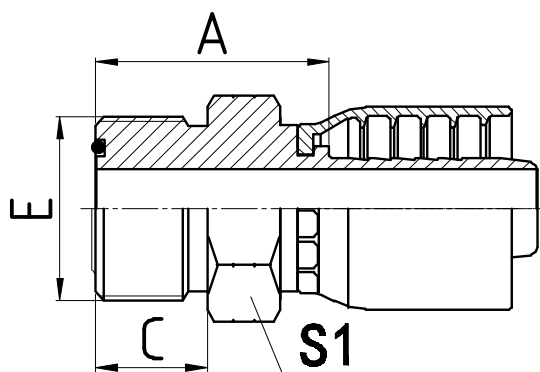
**13011Y-SP**

英锥管外螺纹

BSPT MALE

序号 SN	产品代号 PART NO.	螺纹 E THREAD E	胶管HOSE BORE		尺寸 DIMENSIONS		
			公称内径 DN	标号 DASH	A	C	S1
1	13011Y-04-04SP	R1/4"X19	6	04	27	14.5	14
2	13011Y-06-06SP	R3/8"X19	10	06	27.5	15	17
3	13011Y-08-08SP	R1/2"X14	13	08	35	20	22
4	13011Y-12-12SP	R3/4"X14	19	12	38.5	20	27
5	13011Y-16-12SP	R1"X11	19	12	44.5	25.5	36
6	13011Y-16-16SP	R1"X11	25	16	45	25.5	36
7	13011Y-20-20SP	R1.1/4"X11	32	20	49.5	26.5	46
8	13011Y-24-24SP	R1.1/2"X11	38	24	52.5	26.5	50
9	13011Y-32-32SP	R2"X11	50	32	57	30	65

注1：表中代号用于编织软管，如用于缠绕软管代号改为13012Y-XX-XXSP。
Note:NO. in table match with braided hose.P/N 13012Y-XX match with spiral hose.



14211Y

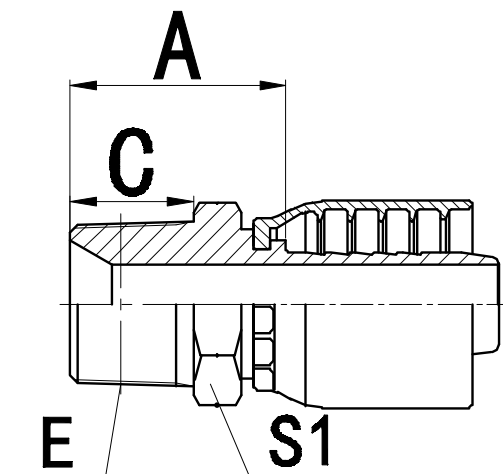
美制ORFS外螺纹平面O型圈密封

ORFS MALE O-RING SEAL ISO12151-1

序号 SN	产品代号 PART NO.	螺纹 E THREAD E	胶管HOSE BORE		O型圈 O-RING	尺寸 DIMENSIONS		
			公称内径 DN	标号 DASH		A	C	S1
1	14211Y-04-04	9/16"X18	6	04	O7.65X1.78	22.5	9.8	17
2	14211Y-06-06	11/16"X16	10	06	O9.25X1.78	24	11.2	19
3	14211Y-08-08	13/16"X16	12	08	O12.42X1.78	28.5	12.8	22
4	14211Y-10-10	1"X14	16	10	O15.6X1.78	34	15.5	27
5	14211Y-12-12	1.3/16"X12	19	12	O18.77X1.78	36.5	17	32
6	14211Y-16-16	1.7/16"X12	25	16	O23.52X1.78	38.5	17.5	38
7	14211Y-20-20	1.11/16"X12	32	20	O29.87X1.78	41.5	17.5	46
8	14211Y-24-24	2"X12	38	24	O37.82X1.78	43.5	17.5	55

注：表中代号用于编织软管，如用于缠绕软管代号改为14212Y-XX-XX。

Note:NO. in table match with braided hose.P/N 14212Y-XX match with spiral hose.

**15611Y**

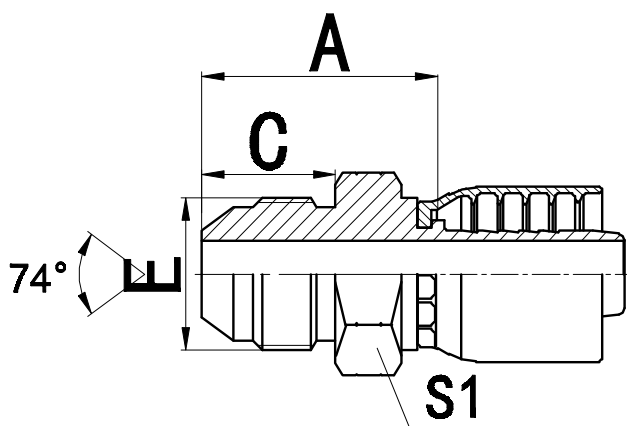
布锥管外螺纹

NPT MALE

序号 SN	产品代号 PART NO.	螺纹 E THREAD E	胶管HOSE BORE		尺寸 DIMENSIONS		
			公称内径 DN	标号 DASH	A	C	S1
1	15611Y-04-04	Z1/4"X18	6	04	28	15	17
2	15611Y-06-06	Z3/8"X18	10	06	29	16	19
3	15611Y-08-08	Z1/2"X14	13	08	34.5	19	22
4	15611Y-12-12	Z3/4"X14	19	12	38.5	19.5	27
5	15611Y-16-16	Z1"X11.5	25	16	46.5	25.5	36
6	15611Y-20-20	Z1.1/4"X11.5	32	20	50.5	26.5	46
7	15611Y-24-24	Z1.1/2"X11.5	38	24	51	26	50
8	15611Y-32-32	Z2"X11.5	50	32	55	27.5	65

注：表中代号用于编织软管，如用于缠绕软管代号改为15612Y-XX-XX。

Note:NO. in table match with braided hose.P/N 15612Y-XX match with spiral hose.

**16711Y**

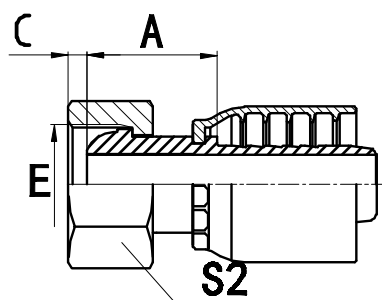
美制JIC 外螺纹74° 外锥面

JIC MALE 74° CONE ISO 12151-5 SAE J514

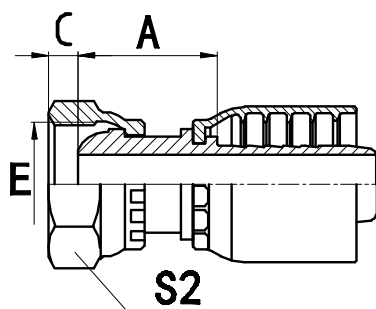
序号 SN	产品代号 PART NO.	螺纹 E THREAD E	胶管HOSE BORE		尺寸 DIMENSIONS		
			公称内径 DN	标号 DASH	A	C	S1
1	16711Y-04-04	7/16"X20	6	04	26.5	14	12
2	16711Y-05-05	1/2"X20	8	05	26.5	14	14
3	16711Y-06-06	9/16"X18	10	06	26.5	14.1	17
4	16711Y-08-08	3/4"X16	13	08	32	16.7	22
5	16711Y-10-10	7/8"X14	16	10	35.5	19.3	24
6	16711Y-12-12	1.1/16"X12	19	12	40	21.9	30
7	16711Y-16-16	1.5/16"X12	25	16	43.5	23.1	36
8	16711Y-20-20	1.5/8"X12	32	20	47.5	24.3	46
9	16711Y-24-24	1.7/8"X12	38	24	53	27.5	50
10	16711Y-32-32	2.1/2"X12	50	32	62	33.9	65

注：表中代号用于编织软管，如用于缠绕软管代号改为16712Y-XX-XX。

Note:NO. in table match with braided hose.P/N 16712Y-XX match with spiral hose.



20111YT



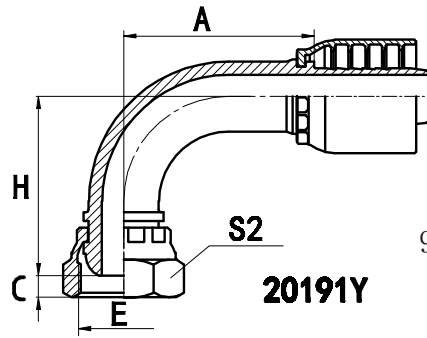
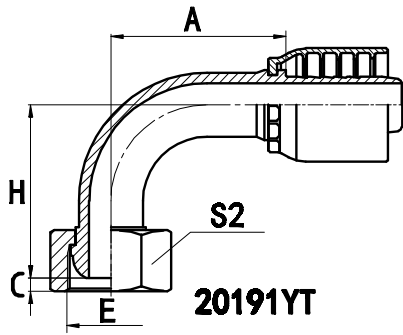
20111Y

公制内螺纹球面
METRIC FEMALE MULTISEAL

序号 SN	产品代号 PART NO.	螺纹 E THREAD E	胶管HOSE BORE		尺寸 DIMENSIONS		
			公称内径 DN	标号 DASH	A	C	S2
1	20111Y-14-04T	M14X1.5	6	04	20.5	4.5	17
2	20111Y-16-05T	M16X1.5	8	05	20	4.5	19
3	20111Y-18-06T	M18X1.5	10	06	22.5	4	22
4	20111Y-22-08T	M22X1.5	12	08	24.5	5	27
5	20111Y-27-10T	M27X1.5	16	10	24	5.5	32
6	20111Y-30-10T	M30X1.5	16	10	25.5	6	36
7	20111Y-30-12T	M30X1.5	19	12	28.5	6	36
8	20111Y-36-12T	M36X2	19	12	26	7	41
9	20111Y-36-16T	M36X2	25	16	28	7	41
10	20111Y-39-16T	M39X2	25	16	29.5	7	46
11	20111Y-42-16T	M42X2	25	16	30	8.5	50
12	20111Y-45-20T	M45X2	32	20	31.5	8.5	55
13	20111Y-52-20T	M52X2	32	20	33	9	60
14	20111Y-52-24T	M52X2	38	24	33	9	60
15	20111Y-64-32T	M64X2	51	32	35	14	75

注：表中代号用于编织软管，如用于缠绕软管代号改为20112Y-XX-XX。

Note:NO. in table match with braided hose.P/N 20112Y-XX match with spiral hose.



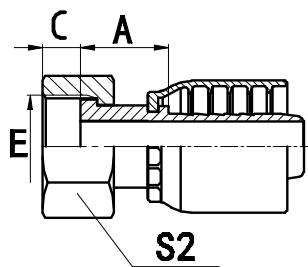
90° 公制内螺纹球

90° METRIC FEMALE MULTISEAL

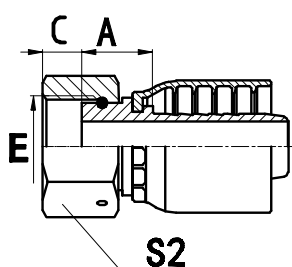
序号 SN	产品代号 PART NO.	螺纹 E THREAD E	胶管HOSE BORE		尺寸 DIMENSIONS			
			公称内径 DN	标号 DASH	A	H	C	S2
1	20191Y-14-04T	M14X1.5	6	04	27	4.5	35.5	17
2	20191Y-16-05T	M16X1.5	8	05	32	4.5	38.5	19
3	20191Y-18-06T	M18X1.5	10	06	34.5	4	41	22
4	20191Y-22-08T	M22X1.5	12	08	41	5	49	27
5	20191Y-27-10T	M27X1.5	16	10	53.5	5.5	53.5	32
6	20191Y-30-10T	M30X1.5	16	10	53.5	6	55.5	36
7	20191Y-30-12T	M30X1.5	19	12	61	6	60	36
8	20191Y-36-12T	M36X2	19	12	61	7	64	41
9	20191Y-36-16T	M36X2	25	16	75	7	70	41
10	20191Y-39-16T	M39X2	25	16	75	7	72	46
11	20191Y-42-16T	M42X2	25	16	75	8.5	72.5	50
12	20191Y-45-20T	M45X2	32	20	91	8.5	85	55
13	20191Y-52-20T	M52X2	32	20	91	9	86.5	60
14	20191Y-52-24T	M52X2	38	24	106	9	97	60
15	20191Y-64-32T	M64X2	51	32	132	14	122	75

注：表中代号用于编织软管，如用于缠绕软管代号改为20192Y-XX-XX。

Note:NO. in table match with braided hose.P/N 20192Y-XX match with spiral hose.



20211YT



20211YW

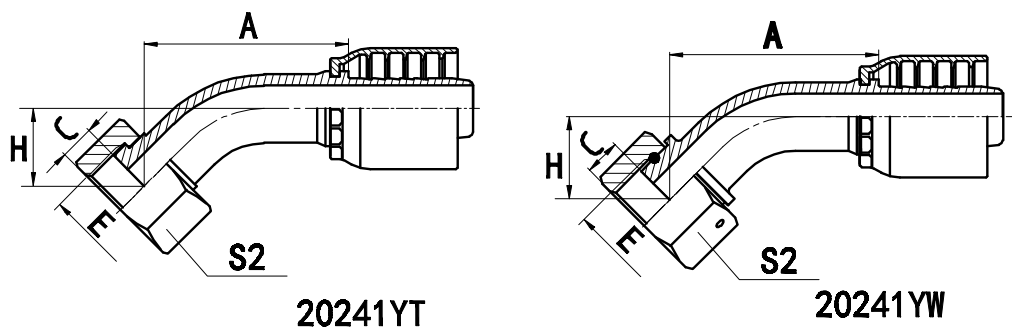
国标公制内螺纹平面密封

GB METRIC FEMALE FLAT SEAT

序号 SN	产品代号 PART NO.	螺纹 E THREAD E	胶管 HOSE BORE		尺寸 DIMENSIONS		
			公称内径 DN	标号 DASH	A	C	S2
1	20211Y-14-04T	M14X1.5	6	04	16.5	8.5	17
2	20211Y-16-04T	M16X1.5	6	04	16	8.5	19
3	20211Y-16-05T	M16X1.5	8	05	16.5	8.5	19
4	20211Y-18-05T	M18X1.5	8	05	18	9	22
5	20211Y-18-06T	M18X1.5	10	06	17	9	22
6	20211Y-22-08T	M22X1.5	12	08	19.5	10	27
7	20211Y-27-08T	M27X1.5	12	08	18.5	10	32
8	20211Y-27-10T	M27X1.5	16	10	20.5	10	32
9	20211Y-30-10T	M30X1.5	16	10	20.5	11	36
10	20211Y-30-12T	M30X1.5	19	12	22.5	11	36
11	20211Y-36-12T	M36X2	19	12	20	13	41
12	20211Y-36-16T	M36X2	25	16	24	13	41
13	20211Y-39-16T	M39X2	25	16	23.5	13	46
14	20211Y-42-16T	M42X2	25	16	23.5	15	50
15	20211Y-42-20W	M42X2	32	20	25	15	50
16	20211Y-45-20T	M45X2	32	20	25	15	55
17	20211Y-52-20T	M52X2	32	20	25	17	60
18	20211Y-52-24T	M52X2	40	24	25	17	60
19	20211Y-64-32T	M64X2	50	32	26	23	75

注：表中代号用于编织软管，如用于缠绕软管代号改为20212Y-XX-XX。

Note: NO. in table match with braided hose. P/N 20212Y-XX match with spiral hose.



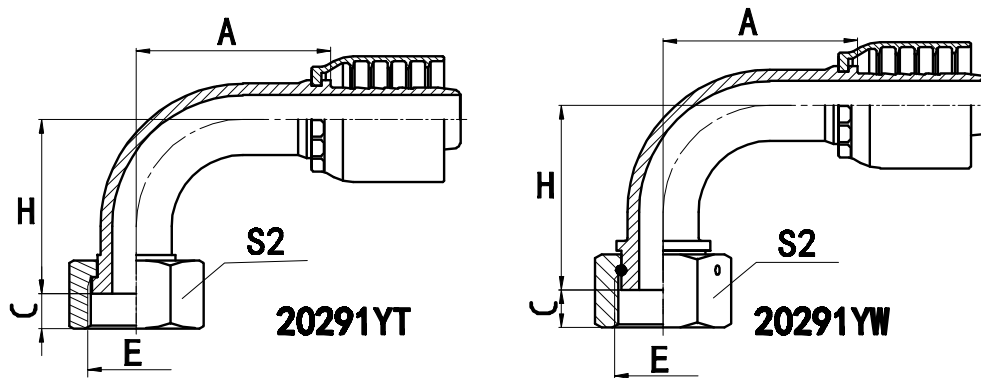
45° 公制内螺纹平面密封

45° METRIC FEMALE FLAT SEAT

序号 SN	产品代号 PART NO.	螺纹 E THREAD E	胶管 HOSE BORE		尺寸 DIMENSIONS			
			公称内径 DN	标号 DASH	A	C	H	S2
1	20241Y-14-04T	M14X1.5	6	04	35.4	8.5	15.7	17
2	20241Y-16-04T	M16X1.5	6	04	38.1	8.5	18.5	19
3	20241Y-16-05T	M16X1.5	8	05	42	8.5	19.7	19
4	20241Y-18-05T	M18X1.5	8	05	40.6	9	18.3	22
5	20241Y-18-06T	M18X1.5	10	06	44	9	20.1	22
6	20241Y-22-08T	M22X1.5	12	08	46.7	10	19.8	27
7	20241Y-27-08T	M27X1.5	12	08	48.5	10	21.5	32
8	20241Y-27-10T	M27X1.5	16	10	59.7	10	22.8	32
9	20241Y-30-10T	M30X1.5	16	10	59.7	11	22.8	36
10	20241Y-30-12T	M30X1.5	19	12	66.2	11	24.5	36
11	20241Y-36-12T	M36X2	19	12	66.2	13	24.5	41
12	20241Y-36-16T	M36X2	25	16	78.3	13	27.9	41
13	20241Y-39-16T	M39X2	25	16	79.7	13	29.3	46
14	20241Y-42-16T	M42X2	25	16	79.7	15	29.3	50
15	20241Y-42-20W	M42X2	32	20	95.4	15	35.2	50
16	20241Y-45-20T	M45X2	32	20	94	15	33.8	55
17	20241Y-52-20T	M52X2	32	20	94	17	33.8	60
18	20241Y-52-24T	M52X2	40	24	106	17	36.8	60
19	20241Y-64-32T	M64X2	50	32	134	23	45.6	75

注：表中代号用于编织软管，如用于缠绕软管代号改为20242Y-XX-XX。

Note:NO. in table match with braided hose.P/N 20242Y-XX match with spiral hose.



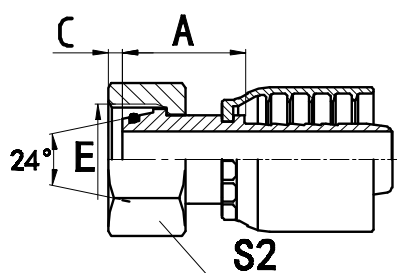
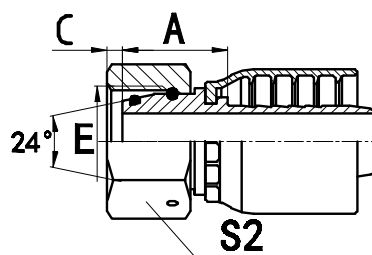
90° 公制内螺纹平面密封

90° METRIC FEMALE FLAT SEAT

序号 SN	产品代号 PART NO.	螺纹 E THREAD E	胶管 HOSE BORE		尺寸 DIMENSIONS			
			公称内径 DN	标号 DASH	A	C	H	S2
1	20291Y-14-04T	M14X1.5	6	04	27	8.5	29.5	17
2	20291Y-16-04T	M16X1.5	6	04	27	8.5	32	19
3	20291Y-16-05T	M16X1.5	8	05	32	8.5	37.5	19
4	20291Y-18-05T	M18X1.5	8	05	32	9	35.5	22
5	20291Y-18-06T	M18X1.5	10	06	34.5	9	36.5	22
6	20291Y-22-08T	M22X1.5	12	08	41	10	42	27
7	20291Y-27-08T	M27X1.5	12	08	41	10	44.5	32
8	20291Y-27-10T	M27X1.5	16	10	53.5	10	49	32
9	20291Y-30-10T	M30X1.5	16	10	53.5	11	49	36
10	20291Y-30-12T	M30X1.5	19	12	61	11	54	36
11	20291Y-36-12T	M36X2	19	12	61	13	54	41
12	20291Y-36-16T	M36X2	25	16	75	13	64	41
13	20291Y-39-16T	M39X2	25	16	75	13	66	46
14	20291Y-42-16T	M42X2	25	16	75	15	66	50
15	20291Y-42-20W	M42X2	32	20	91	15	80.5	50
16	20291Y-45-20T	M45X2	32	20	91	15	78.5	55
17	20291Y-52-20T	M52X2	32	20	91	17	78.5	60
18	20291Y-52-24T	M52X2	40	24	106	17	89	60
19	20291Y-64-32T	M64X2	50	32	132	23	113	75

注：表中代号用于编织软管，如用于缠绕软管代号改为20292Y-XX-XX。

Note: NO. in table match with braided hose. P/N 20292Y-XX match with spiral hose.

**20411YT****20411YW**

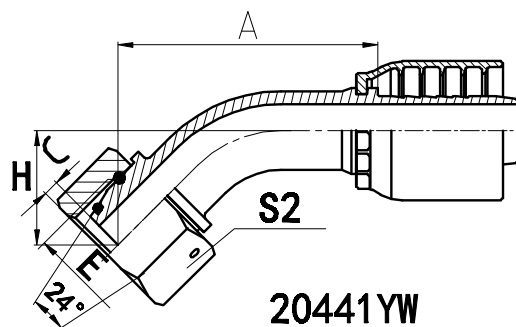
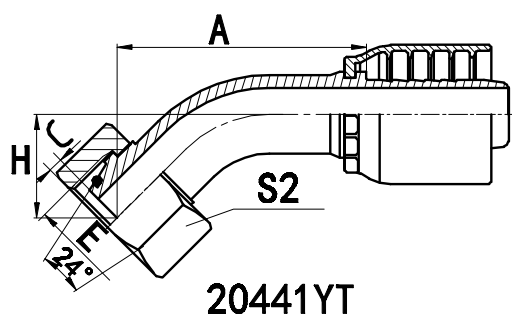
公制内螺纹24°锥带O形圈轻系列

METRIC FEMALE 24° CONE O-RING L. T. ISO 12151-2--DIN 3865

序号 SN	产品代号 PART NO.	螺纹 E THREAD E	胶管HOSE BORE		O型圈 O-RING	尺寸 DIMENSIONS		
			公称内径 DN	标号 DASH		A	C	S2
1	20411Y-14-04T	M14X1.5	6	04	O06.5X1.5	24	1.7	S17
2	20411Y-16-04T	M16X1.5	6	04	O08.0X1.5	23	2.1	S19
3	20411Y-16-05T	M16X1.5	8	05	O08.0X1.5	24	2.1	S19
4	20411Y-18-04T	M18X1.5	6	04	O10.0X1.5	24.5	1.5	S22
5	20411Y-18-05T	M18X1.5	8	05	O10.0X1.5	24.5	1.5	S22
6	20411Y-18-06T	M18X1.5	10	06	O10.0X1.5	25	1.5	S22
7	20411Y-22-06T	M22X1.5	10	06	O12.0X2.0	26.5	3	S27
8	20411Y-22-08T	M22X1.5	13	08	O12.0X2.0	28	3	S27
9	20411Y-26-08T	M26X1.5	13	08	O15.0X2.0	27.5	2.1	S32
10	20411Y-26-10T	M26X1.5	16	10	O15.0X2.0	29	2.1	S32
11	20411Y-30-10T	M30X2.0	16	10	O20.0X2.0	31	3.8	S36
12	20411Y-30-12T	M30X2.0	19	12	O20.0X2.0	33	3.8	S36
13	20411Y-36-12T	M36X2.0	19	12	O26.0X2.0	33	4.5	S41
14	20411Y-36-16T	M36X2.0	25	16	O26.0X2.0	35	4.5	S41
15	20411Y-45-16T	M45X2.0	25	16	O32.0X2.5	37	4	S50
16	20411Y-45-20T	M45X2.0	32	20	O32.0X2.5	37.5	4	S50
17	20411Y-52-20T	M52X2.0	32	20	O38.0X2.5	38.5	4	S60
18	20411Y-52-24T	M52X2.0	38	24	O38.0X2.5	38.5	4	S60

注：表中代号用于编织软管，如用于缠绕软管代号改为20412Y-XX-XX。

Note:NO. in table match with braided hose.P/N 20412Y-XX match with spiral hose.



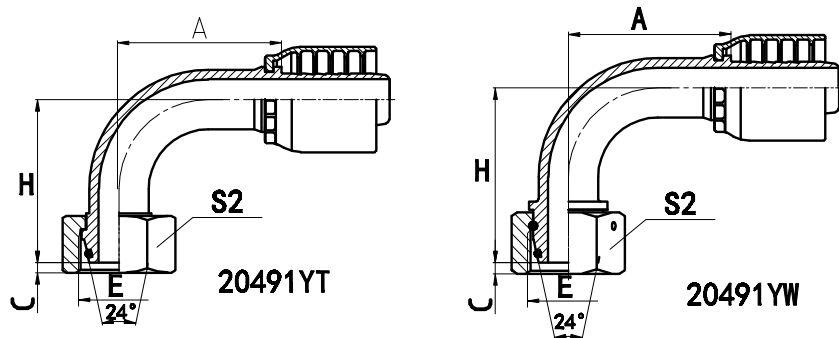
45° 公制内螺纹24°锥带O形圈轻系列

45° METRIC FEMALE 24° CONE O-RING L. T. ISO 12151-2--DIN 3865

序号 SN	产品代号 PART NO.	螺纹 E THREAD E	胶管HOSE BORE		O型圈 O-RING	尺寸 DIMENSIONS			
			公称内径 DN	标号 DASH		A	C	H	S2
1	20441Y-14-04T	M14X1.5	6	04	O06.5X1.5	36	1.7	16.4	S17
2	20441Y-16-04T	M16X1.5	6	04	O08.0X1.5	36.3	2.1	16.6	S19
3	20441Y-16-05T	M16X1.5	8	05	O08.0X1.5	39.7	2.1	17.3	S19
4	20441Y-18-04T	M18X1.5	6	04	O10.0X1.5	37.2	1.5	17.5	S22
5	20441Y-18-05T	M18X1.5	8	05	O10.0X1.5	41.3	1.5	19	S22
6	20441Y-18-06T	M18X1.5	10	06	O10.0X1.5	43	1.5	19	S22
7	20441Y-22-06T	M22X1.5	10	06	O12.0X2.0	43.4	3	19.4	S27
8	20441Y-22-08T	M22X1.5	13	08	O12.0X2.0	48.1	3	21.2	S27
9	20441Y-26-08T	M26X1.5	13	08	O15.0X2.0	49.1	2.1	22.2	S32
10	20441Y-26-10T	M26X1.5	16	10	O15.0X2.0	61.2	2.1	24.9	S32
11	20441Y-30-10T	M30X2.0	16	10	O20.0X2.0	62.5	3.8	26.2	S36
12	20441Y-30-12T	M30X2.0	19	12	O20.0X2.0	69.1	3.8	27.5	S36
13	20441Y-36-12T	M36X2.0	19	12	O26.0X2.0	69.4	4.5	27.7	S41
14	20441Y-36-16T	M36X2.0	25	16	O26.0X2.0	81.4	4.5	31	S41
15	20441Y-45-16T	M45X2.0	25	16	O32.0X2.5	83.6	4	33.2	S50
16	20441Y-45-20T	M45X2.0	32	20	O32.0X2.5	96.5	4	36.2	S50
17	20441Y-52-20T	M52X2.0	32	20	O38.0X2.5	97.2	4	36.9	S60
18	20441Y-52-24T	M52X2.0	38	24	O38.0X2.5	111	4	41.4	S60

注：表中代号用于编织软管，如用于缠绕软管代号改为20442Y-XX-XX。

Note:NO. in table match with braided hose.P/N 20442Y-XX match with spiral hose.



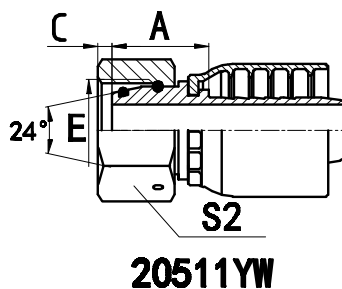
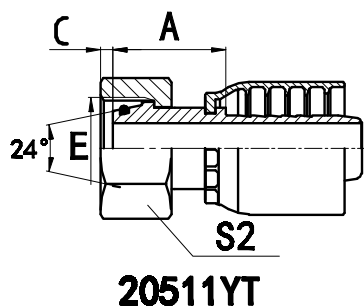
90° 公制内螺纹24°锥带O形圈轻系列

90° METRIC FEMALE 24° CONE O-RING L. T. ISO 12151-2--DIN 3865

序号 SN	产品代号 PART NO.	螺纹 E THREAD E	胶管 HOSE BORE		O型圈 O-RING	尺寸 DIMENSIONS			
			公称内径 DN	标号 DASH		A	C	H	S2
1	20491Y-14-04T	M14X1.5	6	04	O06.5X1.5	27	1.7	30.4	S17
2	20491Y-16-04T	M16X1.5	6	04	O08.0X1.5	27	2.1	30.7	S19
3	20491Y-16-05T	M16X1.5	8	05	O08.0X1.5	32	2.1	34.2	S19
4	20491Y-18-04T	M18X1.5	6	04	O10.0X1.5	27	1.5	32	S22
5	20491Y-18-05T	M18X1.5	8	05	O10.0X1.5	32	1.5	36.5	S22
6	20491Y-18-06T	M18X1.5	10	06	O10.0X1.5	34.5	1.5	37	S22
7	20491Y-22-06T	M22X1.5	10	06	O12.0X2.0	34.5	3	38	S27
8	20491Y-22-08T	M22X1.5	13	08	O12.0X2.0	41	3	44	S27
9	20491Y-26-08T	M26X1.5	13	08	O15.0X2.0	41	2.1	45.4	S32
10	20491Y-26-10T	M26X1.5	16	10	O15.0X2.0	53	2.1	53.4	S32
11	20491Y-30-10T	M30X2.0	16	10	O20.0X2.0	53	3.8	53.7	S36
12	20491Y-30-12T	M30X2.0	19	12	O20.0X2.0	61	3.8	58.2	S36
13	20491Y-36-12T	M36X2.0	19	12	O26.0X2.0	61	4.5	58.5	S41
14	20491Y-36-16T	M36X2.0	25	16	O26.0X2.0	75	4.5	68.5	S41
15	20491Y-45-16T	M45X2.0	25	16	O32.0X2.5	75	4	71.5	S50
16	20491Y-45-20T	M45X2.0	32	20	O32.0X2.5	91	4	82	S50
17	20491Y-52-20T	M52X2.0	32	20	O38.0X2.5	91	4	83	S60
18	20491Y-52-24T	M52X2.0	38	24	O38.0X2.5	106	4	95.5	S60

注：表中代号用于编织软管，如用于缠绕软管代号改为20492Y-XX-XX。

Note: NO. in table match with braided hose. P/N 20492Y-XX match with spiral hose.



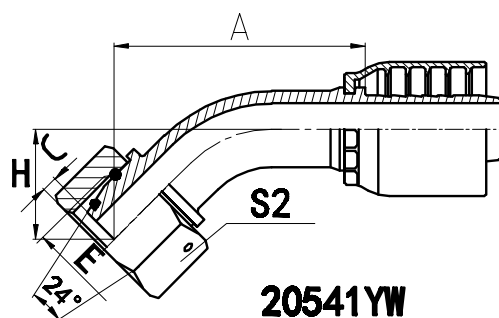
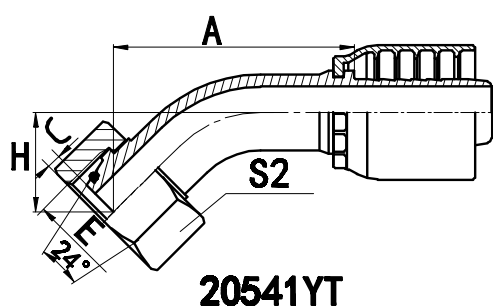
公制内螺纹24°锥带O形圈重系列

METRIC FEMALE 24° CONE O-RING H. T. ISO 12151-2--DIN 3865

序号 SN	产品代号 PART NO.	螺纹 E THREAD E	胶管HOSE BORE		O型圈 O-RING	尺寸 DIMENSIONS		
			公称内径 DN	标号 DASH		A	C	S2
1	20511Y-14-04T	M14X1.5	6	04	O04.5X1.5	24	1.7	S17
2	20511Y-16-04T	M16X1.5	6	04	O06.5X1.5	24.5	1.8	S19
3	20511Y-16-05T	M16X1.5	8	05	O06.5X1.5	25	1.8	S19
4	20511Y-18-04T	M18X1.5	6	04	O08.0X1.5	25.5	1.5	S22
5	20511Y-18-05T	M18X1.5	8	05	O08.0X1.5	25.5	1.5	S22
6	20511Y-18-06T	M18X1.5	10	06	O08.0X1.5	26.5	1.5	S22
7	20511Y-20-05T	M20X1.5	8	05	O10.0X1.5	26.5	2.5	S24
8	20511Y-20-06T	M20X1.5	10	06	O10.0X1.5	26.5	2.5	S24
9	20511Y-22-06T	M22X1.5	10	06	O11.0X2.0	26.5	3	S27
10	20511Y-22-08T	M22X1.5	13	08	O11.0X2.0	29	3	S27
11	20511Y-24-06T	M24X1.5	10	06	O13.0X2.0	27	3	S30
12	20511Y-24-08T	M24X1.5	13	08	O13.0X2.0	27.5	3	S30
13	20511Y-30-08T	M30X2	13	08	O16.3X2.4	32.5	2.5	S36
14	20511Y-30-10T	M30X2	16	10	O16.3X2.4	33	2.5	S36
15	20511Y-30-12T	M30X2	19	12	O16.3X2.4	34.5	2.5	S36
16	20511Y-36-12T	M36X2	19	12	O20.3X2.4	35	3	S46
17	20511Y-36-16T	M36X2	25	16	O20.3X2.4	37	3	S46
18	20511Y-42-16T	M42X2	25	16	O25.3X2.4	38.5	4	S50
19	20511Y-52-20T	M52X2	32	20	O33.3X2.4	41.5	9	S60
20	20511Y-52-24T	M52X2	38	24	O33.3X2.4	41.5	9	S60

注：表中代号用于编织软管，如用于缠绕软管代号改为20512Y-XX-XX。

Note:NO. in table match with braided hose.P/N 20512Y-XX match with spiral hose.



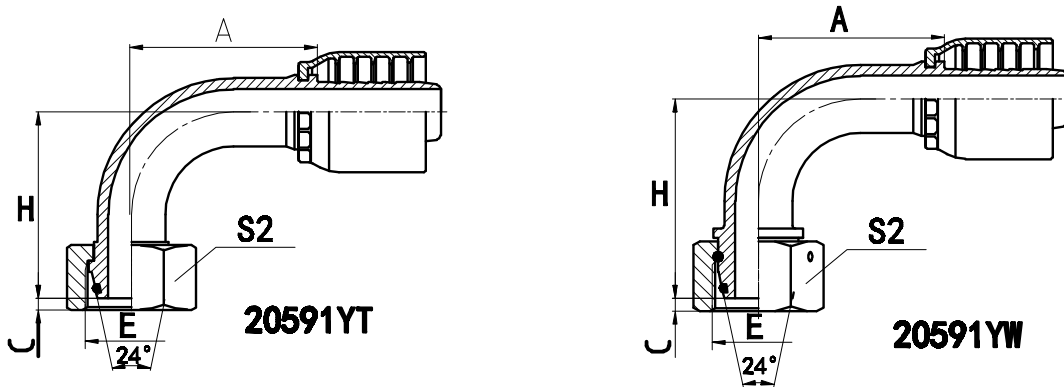
45° 公制内螺纹24°锥带O形圈重系列

45° METRIC FEMALE 24° CONE O-RING H. T. ISO 12151-2-DIN 3865

序号 SN	产品代号 PART NO.	螺纹 E THREAD E	胶管HOSE BORE		O型圈 O-RING	尺寸 DIMENSIONS			
			公称内径 DN	标号 DASH		A	C	H	S2
1	20541Y-14-04T	M14X1.5	6	04	O04.5X1.5	36	1.7	16.4	S17
2	20541Y-16-04T	M16X1.5	6	04	O06.5X1.5	36.4	1.8	16.7	S19
3	20541Y-16-05T	M16X1.5	8	05	O06.5X1.5	38.1	1.8	17	S19
4	20541Y-18-04T	M18X1.5	6	04	O08.0X1.5	37.4	1.5	17.8	S22
5	20541Y-18-05T	M18X1.5	8	05	O08.0X1.5	41.3	1.5	19	S22
6	20541Y-18-06T	M18X1.5	10	06	O08.0X1.5	43.4	1.5	19.4	S22
7	20541Y-20-05T	M20X1.5	8	05	O10.0X1.5	41.7	2.5	19.3	S24
8	20541Y-20-06T	M20X1.5	10	06	O10.0X1.5	43.7	2.5	19.8	S24
9	20541Y-22-06T	M22X1.5	10	06	O11.0X2.0	43.7	3	19.8	S27
10	20541Y-22-08T	M22X1.5	13	08	O11.0X2.0	48.5	3	21.5	S27
11	20541Y-24-06T	M24X1.5	10	06	O13.0X2.0	43.7	3	19.8	S30
12	20541Y-24-08T	M24X1.5	13	08	O13.0X2.0	48.5	3	21.5	S30
13	20541Y-30-08T	M30X2	13	08	O16.3X2.4	51.3	2.5	24.4	S36
14	20541Y-30-10T	M30X2	16	10	O16.3X2.4	63.4	2.5	27.1	S36
15	20541Y-30-12T	M30X2	19	12	O16.3X2.4	68.4	2.5	27.1	S36
16	20541Y-36-12T	M36X2	19	12	O20.3X2.4	71.3	3	29.7	S46
17	20541Y-36-16T	M36X2	25	16	O20.3X2.4	82.4	3	32	S46
18	20541Y-42-16T	M42X2	25	16	O25.3X2.4	83.6	4	33.2	S50
19	20541Y-52-20T	M52X2	32	20	O33.3X2.4	99.7	9	39.4	S60
20	20541Y-52-24T	M52X2	38	24	O33.3X2.4	112	9	42.5	S60

注：表中代号用于编织软管，如用于缠绕软管代号改为20542Y-XX-XX。

Note:NO. in table match with braided hose.P/N 20542Y-XX match with spiral hose.



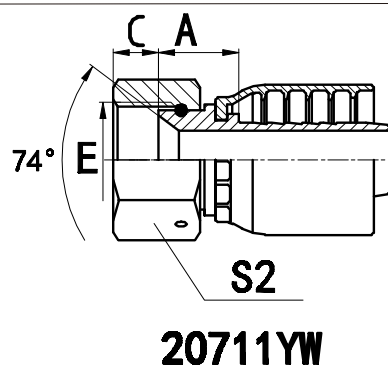
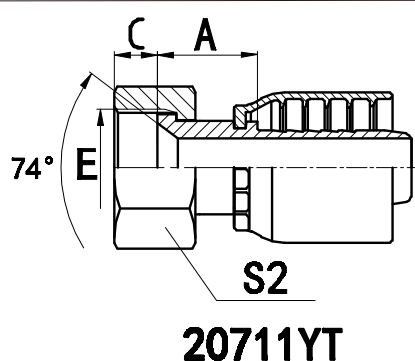
90° 公制内螺纹24°锥带O形圈重系列

90° METRIC FEMALE 24° CONE O-RING H. T. ISO 12151-2-DIN 3865

序号 SN	产品代号 PART NO.	螺纹 E THREAD E	胶管HOSE BORE		O型圈 O-RING	尺寸 DIMENSIONS			
			公称内径 DN	标号 DASH		A	C	H	S2
1	20591Y-14-04T	M14X1.5	6	04	O04.5X1.5	27	1.7	30.4	S17
2	20591Y-16-04T	M16X1.5	6	04	O06.5X1.5	27	1.8	31	S19
3	20591Y-16-05T	M16X1.5	8	05	O06.5X1.5	29	1.8	32	S19
4	20591Y-18-04T	M18X1.5	6	04	O08.0X1.5	28	1.5	32.5	S22
5	20591Y-18-05T	M18X1.5	8	05	O08.0X1.5	32	1.5	36.5	S22
6	20591Y-18-06T	M18X1.5	10	06	O08.0X1.5	34.5	1.5	37.5	S22
7	20591Y-20-05T	M20X1.5	8	05	O10.0X1.5	32	2.5	37	S24
8	20591Y-20-06T	M20X1.5	10	06	O10.0X1.5	34.5	2.5	38	S24
9	20591Y-22-06T	M22X1.5	10	06	O11.0X2.0	34.5	3	38.5	S27
10	20591Y-22-08T	M22X1.5	13	08	O11.0X2.0	41	3	44.5	S27
11	20591Y-24-06T	M24X1.5	10	06	O13.0X2.0	34.5	3	38.5	S30
12	20591Y-24-08T	M24X1.5	13	08	O13.0X2.0	41	3	44.5	S30
13	20591Y-30-08T	M30X2	13	08	O16.3X2.4	41	2.5	48.5	S36
14	20591Y-30-10T	M30X2	16	10	O16.3X2.4	53	2.5	55	S36
15	20591Y-30-12T	M30X2	19	12	O16.3X2.4	58	2.5	55	S36
16	20591Y-36-12T	M36X2	19	12	O20.3X2.4	61	3	59.8	S46
17	20591Y-36-16T	M36X2	25	16	O20.3X2.4	75	3	69.8	S46
18	20591Y-42-16T	M42X2	25	16	O25.3X2.4	75	4	71.6	S50
19	20591Y-52-20T	M52X2	32	20	O33.3X2.4	91	9	86.5	S60
20	20591Y-52-24T	M52X2	38	24	O33.3X2.4	106	9	97	S60

注：表中代号用于编织软管，如用于缠绕软管代号改为20592Y-XX-XX。

Note:NO. in table match with braided hose.P/N 20592Y-XX match with spiral hose.



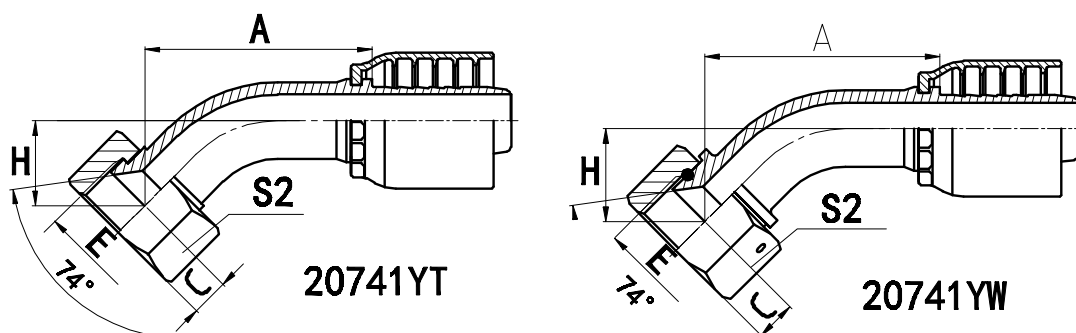
国标公制内螺纹74°密封

GB METRIC FEMALE 74° CONE SEAT

序号 SN	产品代号 PART NO.	螺纹 E THREAD E	胶管HOSE BORE		尺寸 DIMENSIONS		
			公称内径 DN	标号 DASH	A	C	S2
1	20711Y-14-04T	M14X1.5	6	04	16.5	8.5	17
2	20711Y-16-04T	M16X1.5	6	04	16	8	19
3	20711Y-16-05T	M16X1.5	8	05	16.5	8	19
4	20711Y-18-05T	M18X1.5	8	05	19	8	22
5	20711Y-18-06T	M18X1.5	10	06	19	8	22
6	20711Y-22-06T	M22X1.5	10	06	19	10	27
7	20711Y-22-08T	M22X1.5	13	08	19.5	10	27
8	20711Y-27-08T	M27X1.5	13	08	18.5	10	32
9	20711Y-27-10T	M27X1.5	16	10	20	10	32
10	20711Y-30-10T	M30X1.5	16	10	20	11	36
11	20711Y-30-12T	M30X1.5	19	12	23.5	11	36
12	20711Y-36-12T	M36X2	19	12	21	13	41
13	20711Y-36-16T	M36X2	25	16	22	13	41
14	20711Y-39-16T	M39X2	25	16	23.5	13	46
15	20711Y-42-16T	M42X2	25	16	23.5	15	50
16	20711Y-42-20W	M42X2	32	20	25.5	15	50
17	20711Y-45-16T	M45X2	25	16	23.5	15	55
18	20711Y-45-20T	M45X2	32	20	25	15	55
19	20711Y-52-20T	M52X2	32	20	25	17	60
20	20711Y-52-24T	M52X2	38	24	25	17	60
21	20711Y-64-32T	M64X2	51	32	26	23	75

注：表中代号用于编织软管，如用于缠绕软管代号改为20712Y-XX-XX。

Note:NO. in table match with braided hose.P/N 20712Y-XX match with spiral hose.



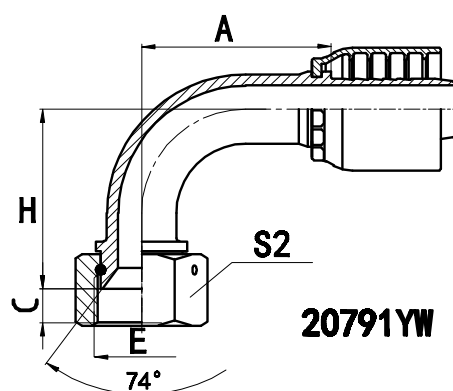
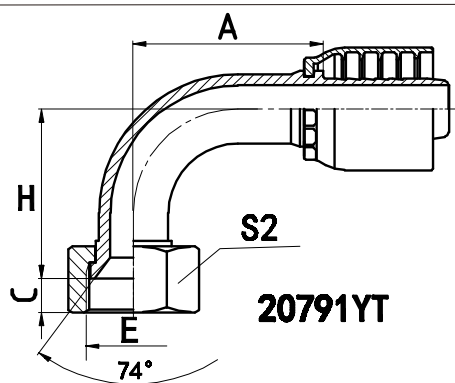
45° 国标公制内螺纹74°密封

45° GB METRIC FEMALE 74° CONE

序号 SN	产品代号 PART NO.	螺纹 E THREAD E	胶管 HOSE BORE		尺寸 DIMENSIONS			
			公称内径 DN	标号 DASH	A	C	H	S2
1	20741Y-14-04T	M14X1.5	6	04	35.3	8.5	15.7	17
2	20741Y-16-04T	M16X1.5	6	04	38.2	8	18.5	19
3	20741Y-16-05T	M16X1.5	8	05	42.4	8	20	19
4	20741Y-18-05T	M18X1.5	8	05	42.7	8	20.4	22
5	20741Y-18-06T	M18X1.5	10	06	44.8	8	20.8	22
6	20741Y-22-06T	M22X1.5	10	06	44.8	10	20.8	27
7	20741Y-22-08T	M22X1.5	13	08	47	10	20.1	27
8	20741Y-27-08T	M27X1.5	13	08	48.5	10	21.5	32
9	20741Y-27-10T	M27X1.5	16	10	59.6	10	22.8	32
10	20741Y-30-10T	M30X1.5	16	10	59.6	11	22.8	36
11	20741Y-30-12T	M30X1.5	19	12	67.6	11	25.9	36
12	20741Y-36-12T	M36X2	19	12	67.6	13	25.9	41
13	20741Y-36-16T	M36X2	25	16	79.7	13	29.3	41
14	20741Y-39-16T	M39X2	25	16	80.4	13	30	46
15	20741Y-42-16T	M42X2	25	16	81.8	15	31.4	50
16	20741Y-42-20W	M42X2	32	20	95	15	34.8	50
17	20741Y-45-16T	M45X2	25	16	81.8	15	31.4	55
18	20741Y-45-20T	M45X2	32	20	94.7	15	34.5	55
19	20741Y-52-20T	M52X2	32	20	94.7	17	34.5	60
20	20741Y-52-24T	M52X2	38	24	110	17	40.4	60
21	20741Y-64-32T	M64X2	51	32	137	23	48.3	75

注：表中代号用于编织软管，如用于缠绕软管代号改为20742Y-XX-XX。

Note: NO. in table match with braided hose. P/N 20742Y-XX match with spiral hose.



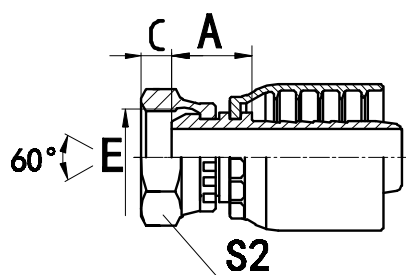
90° 国标公制内螺纹74°密封

90° GB METRIC FEMALE 74° CONE

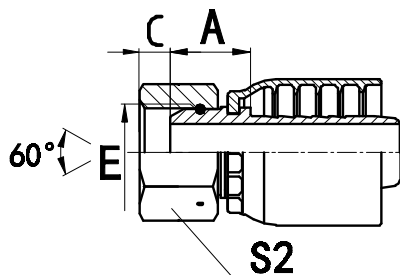
序号 SN	产品代号 PART NO.	螺纹 E THREAD E	胶管HOSE BORE		尺寸 DIMENSIONS			
			公称内径 DN	标号 DASH	A	C	H	S2
1	20791Y-14-04T	M14X1.5	6	04	27	8.5	29.4	17
2	20791Y-16-04T	M16X1.5	6	04	27	8	33.4	19
3	20791Y-16-05T	M16X1.5	8	05	32	8	38	19
4	20791Y-18-05T	M18X1.5	8	05	32	8	38.5	22
5	20791Y-18-06T	M18X1.5	10	06	34.5	8	40	22
6	20791Y-22-06T	M22X1.5	10	06	34.5	10	40	27
7	20791Y-22-08T	M22X1.5	13	08	41	10	42.5	27
8	20791Y-27-08T	M27X1.5	13	08	41	10	44.5	32
9	20791Y-27-10T	M27X1.5	16	10	53.5	10	49	32
10	20791Y-30-10T	M30X1.5	16	10	53.5	11	49	36
11	20791Y-30-12T	M30X1.5	19	12	61	11	56	36
12	20791Y-36-12T	M36X2	19	12	61	13	56	41
13	20791Y-36-16T	M36X2	25	16	75	13	66	41
14	20791Y-39-16T	M39X2	25	16	75	13	67	46
15	20791Y-42-16T	M42X2	25	16	75	15	69	50
16	20791Y-42-20W	M42X2	32	20	91	15	80	50
17	20791Y-45-16T	M45X2	25	16	75	15	69	55
18	20791Y-45-20T	M45X2	32	20	91	15	79.5	55
19	20791Y-52-20T	M52X2	32	20	91	17	79.5	60
20	20791Y-52-24T	M52X2	38	24	106	17	94	60
21	20791Y-64-32T	M64X2	51	32	132	23	117	75

注：表中代号用于编织软管，如用于缠绕软管代号改为20792Y-XX-XX。

Note:NO. in table match with braided hose.P/N 20792Y-XX match with spiral hose.



22611Y

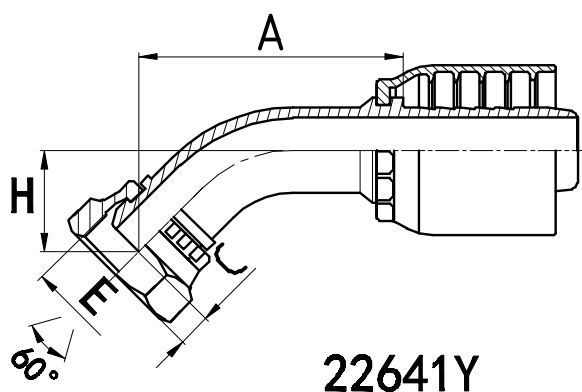


22611YW

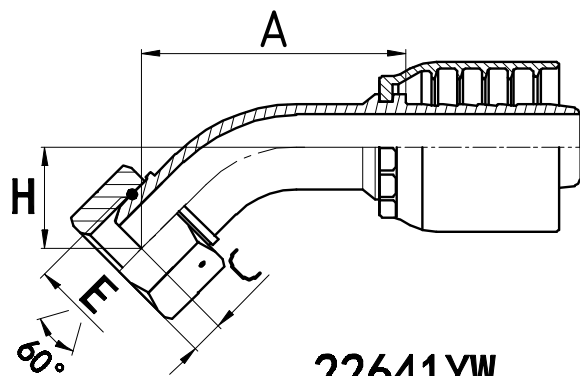
英管内螺纹60°外锥面
BSP FEMALE 60° CONE

序号 SN	产品代号 PART NO.	螺纹 E THREAD E	胶管HOSE BORE		尺寸 DIMENSIONS		
			公称内径 DN	标号 DASH	A	C	S1
1	22611Y-04-04	G1/4" X19	6	04	18	5.5	S19
2	22611Y-06-04	G3/8" X19	6	04	19	6.3	S22
3	22611Y-06-06	G3/8" X19	10	06	19.5	6.3	S22
4	22611Y-08-06	G1/2" X14	10	06	21	7.5	S27
5	22611Y-08-08	G1/2" X14	13	08	21.5	7.5	S27
6	22611Y-12-10	G3/4" X14	16	10	23.5	10.9	S32
7	22611Y-12-12	G3/4" X14	19	12	24	10.9	S32
8	22611Y-16-16	G1" X11	25	16	27	11.7	S41
9	22611Y-20-20W	G1.1/4" X11	32	20	30.5	11	S50
10	22611Y-24-24W	G1.1/2" x11	38	24	33	13	S55
11	22611Y-32-32W	G2" X11	51	32	33	16	S70

注：表中代号用于编织软管，如用于缠绕软管代号改为22612Y-XX-XX。
Note:NO. in table match with braided hose.P/N 22612Y-XX match with spiral hose.



22641Y



22641YW

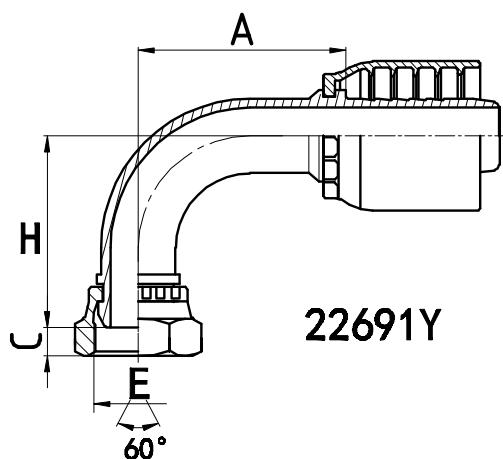
45° 英管内螺纹60° 外锥面

45° BSP FEMALE 60° CONE

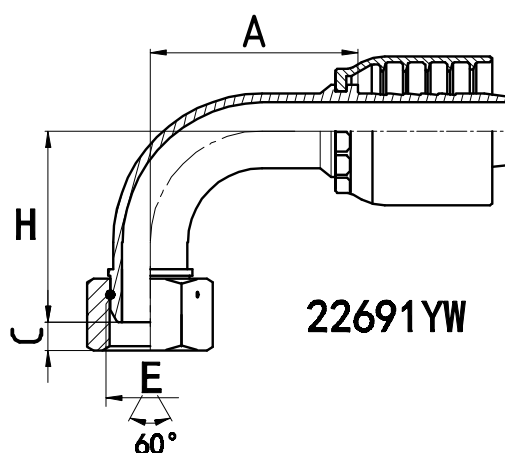
序号 SN	产品代号 PART NO.	螺纹 E THREAD E	胶管HOSE BORE		尺寸 DIMENSIONS			
			公称内径 DN	标号 DASH	A	C	H	S2
1	22641Y-04-04	G1/4" X19	6	04	36	5.5	16.4	S19
2	22641Y-06-04	G3/8" X19	6	04	37	6.3	17.3	S22
3	22641Y-06-06	G3/8" X19	10	06	42.8	6.3	18.8	S22
4	22641Y-08-06	G1/2" X14	10	06	44.8	7.5	20.8	S27
5	22641Y-08-08	G1/2" X14	13	08	48.8	7.5	21.9	S27
6	22641Y-12-10	G3/4" X14	16	10	62.4	10.9	26.1	S32
7	22641Y-12-12	G3/4" X14	19	12	69.1	10.9	27.4	S32
8	22641Y-16-16	G1" X11	25	16	82.7	11.7	32.3	S41
9	22641Y-20-20W	G1.1/4" X11	32	20	98.2	11	38	S50
10	22641Y-24-24W	G1.1/2" x11	38	24	115	13	44.6	S55
11	22641Y-32-32W	G2" X11	51	32	141	16	52.7	S70

注：表中代号用于编织软管，如用于缠绕软管代号改为22642Y-XX-XX。

Note:NO. in table match with braided hose.P/N 22642Y-XX match with spiral hose.



22691Y



22691YW

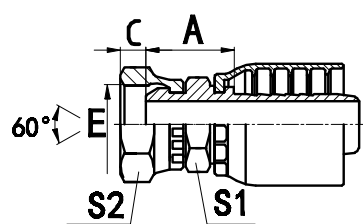
90° 英管内螺纹60° 外锥面

90° BSP FEMALE 60° CONE

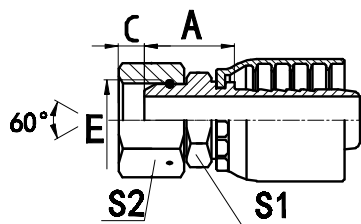
序号 SN	产品代号 PART NO.	螺纹 E THREAD E	胶管HOSE BORE		尺寸 DIMENSIONS			
			公称内径 DN	标号 DASH	A	C	H	S2
1	22691Y-04-04	G1/4" X19	6	04	27	5.5	30.5	S19
2	22691Y-06-04	G3/8" X19	6	04	27	6.3	31.7	S22
3	22691Y-06-06	G3/8" X19	10	06	34.5	6.3	37.2	S22
4	22691Y-08-06	G1/2" X14	10	06	34.5	7.5	40	S27
5	22691Y-08-08	G1/2" X14	13	08	41	7.5	46	S27
6	22691Y-12-10	G3/4" X14	16	10	53	10.9	53.6	S32
7	22691Y-12-12	G3/4" X14	19	12	61	10.9	58.1	S32
8	22691Y-16-16	G1" X11	25	16	75	11.7	70.3	S41
9	22691Y-20-20W	G1.1/4" X11	32	20	91	11	84.5	S50
10	22691Y-24-24W	G1.1/2" x11	38	24	106	13	100	S55
11	22691Y-32-32W	G2" X11	51	32	132	16	123	S70

注：表中代号用于编织软管，如用于缠绕软管代号改为22692Y-XX-XX。

Note:NO. in table match with braided hose.P/N 22692Y-XX match with spiral hose.



22611DY-SM



22611DY-SMW

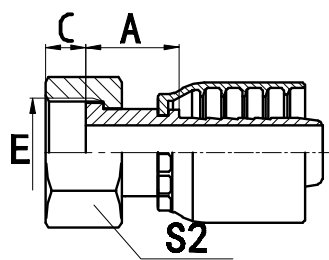
英管内螺纹60°外锥面双六角

BSP FEMALE 60° CONE DOUBLE HEXAGON

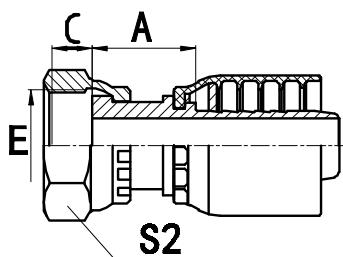
序号 SN	产品代号 PART NO.	螺纹 E THREAD E	胶管HOSE BORE		尺寸 DIMENSIONS			
			公称内径 DN	标号 DASH	A	C	S1	S2
1	22611DY-04-04SM	G1/4" X19	6	04	23.5	5.5	S14	S19
2	22611DY-06-06SM	G3/8" X19	10	06	26	6.3	S17	S22
3	22611DY-08-06SM	G1/2" X14	10	06	30.5	7.5	S19	S27
4	22611DY-08-08SM	G1/2" X14	13	08	31	7.5	S19	S27
5	22611DY-12-12SM	G3/4" X14	19	12	33.5	10.9	S27	S32
6	22611DY-16-16SM	G1" X11	25	16	36	11.7	S32	S41
7	22611DY-20-20SMW	G1.1/4" X11	32	20	44	11	S41	S50
8	22611DY-24-24SMW	G1.1/2" x11	38	24	45	13	S46	S55
9	22611DY-32-32SMW	G2" X11	51	32	45	16	S60	S70

注：表中代号用于编织软管，如用于缠绕软管代号改为22612DY-XX-XXSM。

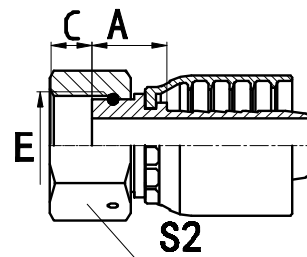
Note:NO. in table match with braided hose.P/N 22612DY-XX match with spiral hose.



24211YT



24211Y



24211YW

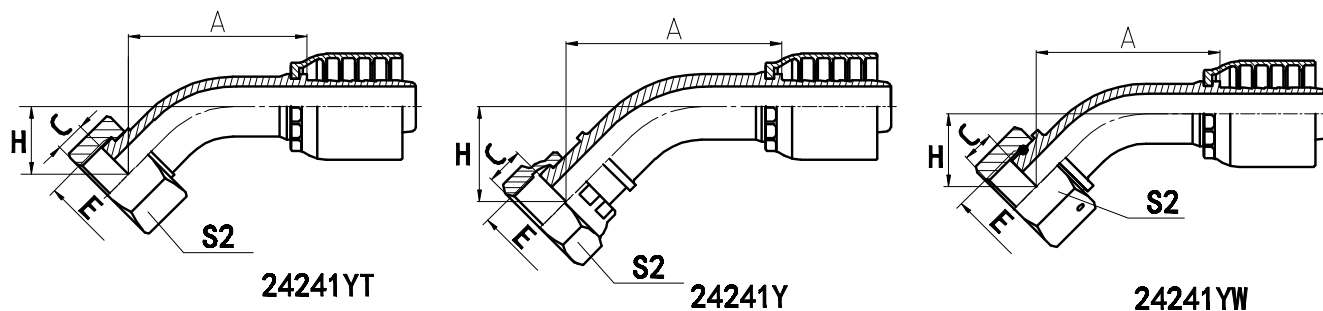
美制ORFS 内螺纹平面

ORFS FEMALE FLAT SEAT ISO 12151-1--SAE J1453

序号 SN	产品代号 PART NO.	螺纹 E THREAD E	胶管HOSE BORE		尺寸 DIMENSIONS		
			公称内径 DN	标号 DASH	A	C	S2
1	24211Y-04-04	9/16"X18	6	04	22.5	8.5	S19
2	24211Y-06-04T	11/16"X16	6	04	23.5	10	S22
3	24211Y-06-06	11/16"X16	10	06	25.5	10	S22
4	24211Y-08-06T	13/16"X16	10	06	25	11	S27
5	24211Y-08-08	13/16"X16	13	08	28	11	S27
6	24211Y-10-08	1"X14	13	08	32.5	13.5	S30
7	24211Y-10-10	1"X14	16	10	33.5	13.5	S30
8	24211Y-12-08T	1.3/16"X12	13	08	30.5	15	S36
9	24211Y-12-10T	1.3/16"X12	16	10	32	15	S36
10	24211Y-12-12T	1.3/16"X12	19	12	33	15	S36
11	24211Y-16-12T	1.7/16"X12	19	12	35	14.8	S41
12	24211Y-16-16T	1.7/16"X12	25	16	34.5	14.8	S41
13	24211Y-20-20W	1.11/16"X1	32	20	42.5	15	S50
14	24211Y-24-24T	2"X12	38	24	36	14.8	S60

注：表中代号用于编织软管，如用于缠绕软管代号改为24212Y-XX-XX。

Note:NO. in table match with braided hose.P/N 24212Y-XX match with spiral hose.



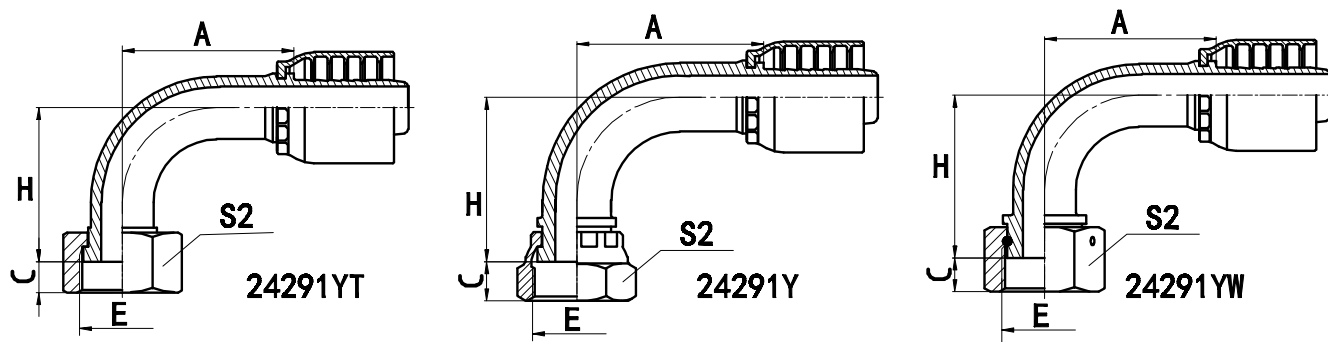
45° 美制ORFS 内螺纹平面

45° ORFS FEMALE FLAT SEAT ISO 12151-1--SAE J1453

序号 SN	产品代号 PART NO.	螺纹 E THREAD E	胶管HOSE BORE		尺寸 DIMENSIONS			
			公称内径 DN	标号 DASH	A	C	H	S2
1	24241Y-04-04	9/16"X18	6	04	30.7	8.5	11.1	S19
2	24241Y-06-04T	11/16"X16	6	04	35.8	10	16.1	S22
3	24241Y-06-06	11/16"X16	10	06	37.7	10	13.8	S22
4	24241Y-08-06T	13/16"X16	10	06	44.1	11	20.1	S27
5	24241Y-08-08	13/16"X16	13	08	44.3	11	17.5	S27
6	24241Y-10-08	1"X14	13	08	48.5	13.5	21.5	S30
7	24241Y-10-10	1"X14	16	10	56.5	13.5	19.7	S30
8	24241Y-12-08T	1.3/16"X12	13	08	49.2	15	22.2	S36
9	24241Y-12-10T	1.3/16"X12	16	10	59.1	15	22.8	S36
10	24241Y-12-12T	1.3/16"X12	19	12	66.2	15	24.5	S36
11	24241Y-16-12T	1.7/16"X12	19	12	68.3	14.8	26.6	S41
12	24241Y-16-16T	1.7/16"X12	25	16	79	14.8	28.6	S41
13	24241Y-20-20W	1.11/16"X12	32	20	98.6	15	38.4	S50
14	24241Y-24-24T	2"X12	38	24	106	14.8	36.8	S60

注：表中代号用于编织软管，如用于缠绕软管代号改为24242Y-XX-XX。

Note:NO. in table match with braided hose.P/N 24242Y-XX match with spiral hose.



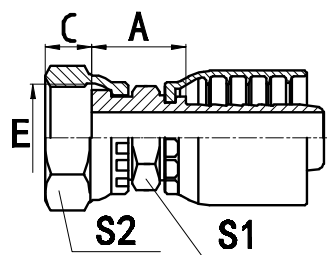
90° 美制ORFS 内螺纹平面

90° ORFS FEMALE FLAT SEAT ISO 12151-1--SAE J1453

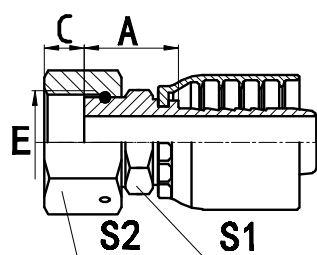
序号 SN	产品代号 PART NO.	螺纹 E THREAD E	胶管HOSE BORE		尺寸 DIMENSIONS			
			公称内径 DN	标号 DASH	A	C	H	S2
1	24291Y-04-04	9/16"X18	6	04	27	8.5	24.4	S19
2	24291Y-06-04T	11/16"X16	6	04	27	10	30	S22
3	24291Y-06-06	11/16"X16	10	06	34.5	10	30	S22
4	24291Y-08-06T	13/16"X16	10	06	34.5	11	39	S27
5	24291Y-08-08	13/16"X16	13	08	40.7	11	38.7	S27
6	24291Y-10-08	1"X14	13	08	41	13.5	44.5	S30
7	24291Y-10-10	1"X14	16	10	53.5	13.5	44.5	S30
8	24291Y-12-08T	1.3/16"X12	13	08	41	15	45.5	S36
9	24291Y-12-10T	1.3/16"X12	16	10	53	15	49	S36
10	24291Y-12-12T	1.3/16"X12	19	12	61	15	54	S36
11	24291Y-16-12T	1.7/16"X12	19	12	61	14.8	57	S41
12	24291Y-16-16T	1.7/16"X12	25	16	75	14.8	65	S41
13	24291Y-20-20W	1.11/16"X12	32	20	91	15	85	S50
14	24291Y-24-24T	2"X12	38	24	106	14.8	89	S60

注：表中代号用于编织软管，如用于缠绕软管代号改为24292Y-XX-XX。

Note:NO. in table match with braided hose.P/N 24292Y-XX match with spiral hose.



24211DY-SM



24211DY-SMW

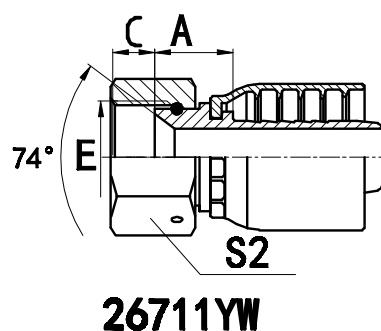
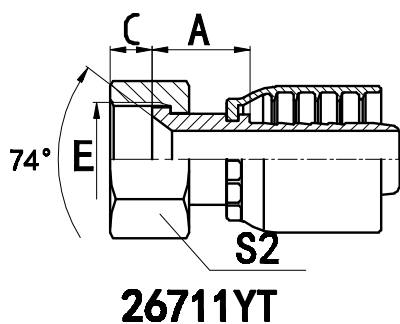
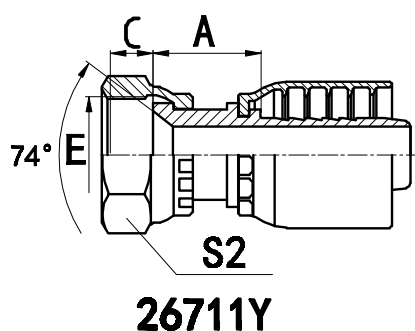
美制ORFS 内螺纹平面双六角

ORFS FEMALE FLAT SEAT DOUBLE HEXAGON

序号 SN	产品代号 PART NO.	螺纹 E THREAD E	胶管HOSE BORE		尺寸 DIMENSIONS			
			公称内径 DN	标号 DASH	A	C	S1	S2
1	24211DY-04-04SM	9/16"X18	6	04	28.5	8.5	S14	S19
2	24211DY-06-06SM	11/16"X16	10	06	31.5	10	S17	S22
3	24211DY-08-08SM	13/16"X16	13	08	37.5	11	S19	S27
4	24211DY-10-10SM	1"X14	16	10	44	13.5	S24	S30
5	24211DY-12-12SM	1.3/16"X12	19	12	44.5	15	S30	S36
6	24211DY-16-16SM	1.7/16"X12	25	16	50	14.8	S36	S41
7	24211DY-20-20SMW	1.11/16"X12	32	20	54.5	15	S41	S50
8	24211DY-24-24SMW	2"X12	38	24	56	14.8	S50	S60

注：表中代号用于编织软管，如用于缠绕软管代号改为24212DY-XX-XXSM。

Note:NO. in table match with braided hose.P/N 24212DY-XX match with spiral hose.



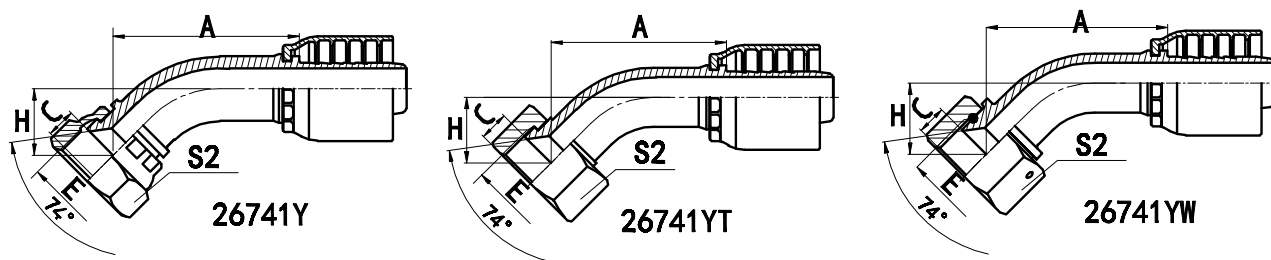
美制JIC 内螺纹74° 内锥面

JIC FEMALE 74° CONE SEAT SAE J514

序号 SN	产品代号 PART NO.	螺纹 E THREAD E	胶管HOSE BORE		尺寸 DIMENSIONS		
			公称内径 DN	标号 DASH	A	C	S1
1	26711Y-04-04	7/16"X20	6	04	15	9	S15
2	26711Y-04-05	7/16"X20	8	05	15	9	S15
3	26711Y-06-06	9/16"X18	10	06	15.5	10.5	S19
4	26711Y-08-06	3/4"X16	10	06	17.5	11	S24
5	26711Y-08-08	3/4"X16	13	08	18.5	11	S24
6	26711Y-08-10	3/4"X16	16	10	19	11	S24
7	26711Y-10-08	7/8"X14	13	08	19	13	S27
8	26711Y-10-10	7/8"X14	16	10	19.5	13	S27
9	26711Y-12-10	1.1/16"X12	16	10	21	15	S32
10	26711Y-12-12	1.1/16"X12	19	12	21.5	15	S32
11	26711Y-16-12	1.5/16"X12	19	12	21.5	16	S41
12	26711Y-16-16	1.5/16"X12	25	16	22.5	16	S41
13	26711Y-20-20W	1.5/8"X12	32	20	26.5	17	S50
14	26711Y-24-24W	1.7/8"X12	38	24	30.5	20	S55
15	26711Y-32-24T	2.1/2"X12	38	24	27	23.5	S75
16	26711Y-32-32T	2.1/2"X12	51	32	27	23.5	S75

注：表中代号用于编织软管，如用于缠绕软管代号改为26712Y-XX-XX。

Note:NO. in table match with braided hose.P/N 26712Y-XX match with spiral hose.



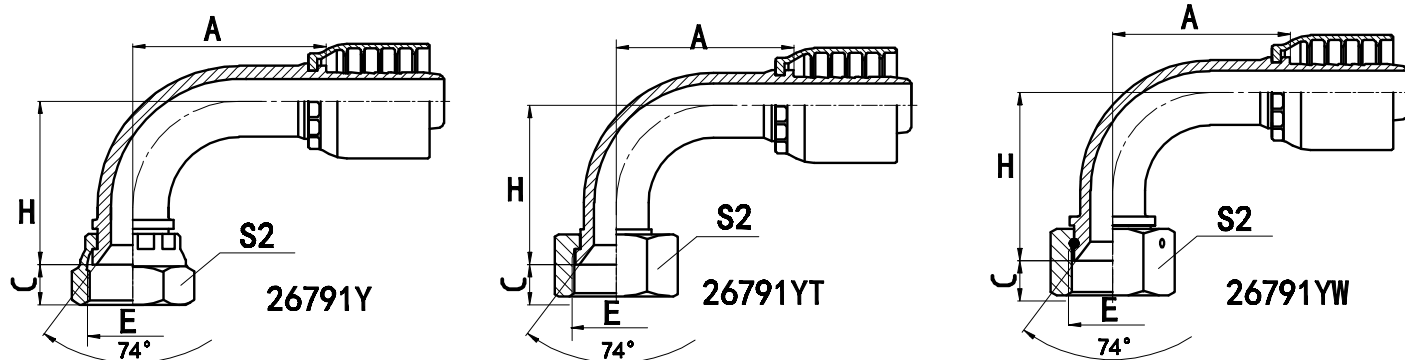
45° 美制JIC 内螺纹74° 内锥面

45° JIC FEMALE 74° CONE SEAT SAE J514

序号 SN	产品代号 PART NO.	螺纹 E THREAD E	胶管HOSE BORE		尺寸 DIMENSIONS			
			公称内径 DN	标号 DASH	A	C	H	S2
1	26741Y-04-04	7/16"X20	6	04	33.9	9	14.3	S15
2	26741Y-04-05	7/16"X20	8	05	34.9	9	14.3	S15
3	26741Y-06-06	9/16"X18	10	06	40.2	10.5	16.2	S19
4	26741Y-08-06	3/4"X16	10	06	41.6	11	17.6	S24
5	26741Y-08-08	3/4"X16	13	08	46.3	11	19.4	S24
6	26741Y-08-10	3/4"X16	16	10	51	11	20.1	S24
7	26741Y-10-08	7/8"X14	13	08	47.4	13	20.5	S27
8	26741Y-10-10	7/8"X14	16	10	59.5	13	23.2	S27
9	26741Y-12-10	1.1/16"X12	16	10	60.2	15	23.9	S32
10	26741Y-12-12	1.1/16"X12	19	12	66.9	15	25.2	S32
11	26741Y-16-12	1.5/16"X12	19	12	67.6	16	25.9	S41
12	26741Y-16-16	1.5/16"X12	25	16	79.3	16	28.9	S41
13	26741Y-20-20W	1.5/8"X12	32	20	95.4	17	35.2	S50
14	26741Y-24-24W	1.7/8"X12	38	24	112	20	42.8	S55
15	26741Y-32-24W	2.1/2"X12	38	24	113	23.5	43.6	S75
16	26741Y-32-32W	2.1/2"X12	51	32	140	23.5	51.6	S75

注：表中代号用于编织软管，如用于缠绕软管代号改为26742Y-XX-XX。

Note:NO. in table match with braided hose.P/N 26742Y-XX match with spiral hose.



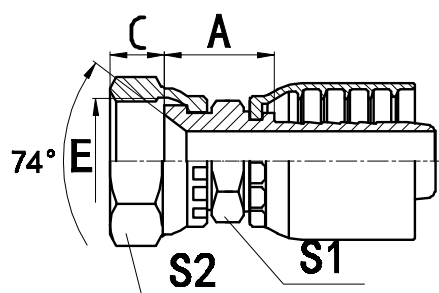
90° 美制JIC 内螺纹74° 内锥面

90° JIC FEMALE 74° CONE SEAT SAE J514

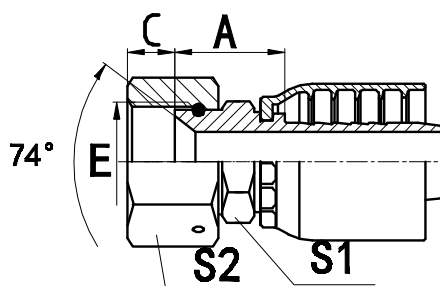
序号 SN	产品代号 PART NO.	螺纹 E THREAD E	胶管 HOSE BORE		尺寸 DIMENSIONS			
			公称内径 DN	标号 DASH	A	C	H	S2
1	26791Y-04-04	7/16"X20	6	04	27	9	27.4	S15
2	26791Y-04-05	7/16"X20	8	05	28	9	27.4	S15
3	26791Y-06-06	9/16"X18	10	06	34.5	10.5	33.5	S19
4	26791Y-08-06	3/4"X16	10	06	34.5	11	35.5	S24
5	26791Y-08-08	3/4"X16	13	08	41	11	42.5	S24
6	26791Y-08-10	3/4"X16	16	10	45	11	42.5	S24
7	26791Y-10-08	7/8"X14	13	08	41	13	43.5	S27
8	26791Y-10-10	7/8"X14	16	10	53	13	49.5	S27
9	26791Y-12-10	1.1/16"X12	16	10	53	15	50.5	S32
10	26791Y-12-12	1.1/16"X12	19	12	61	15	55	S32
11	26791Y-16-12	1.5/16"X12	19	12	61	16	56	S41
12	26791Y-16-16	1.5/16"X12	25	16	75	16	65.5	S41
13	26791Y-20-20W	1.5/8"X12	32	20	91	17	80.5	S50
14	26791Y-24-24W	1.7/8"X12	38	24	106	20	97.5	S55
15	26791Y-32-24W	2.1/2"X12	38	24	106	23.5	98.5	S75
16	26791Y-32-32W	2.1/2"X12	51	32	132	23.5	122	S75

注：表中代号用于编织软管，如用于缠绕软管代号改为26792Y-XX-XX。

Note:NO. in table match with braided hose.P/N 26792Y-XX match with spiral hose.



26711DY-SM



26711DY-SMW

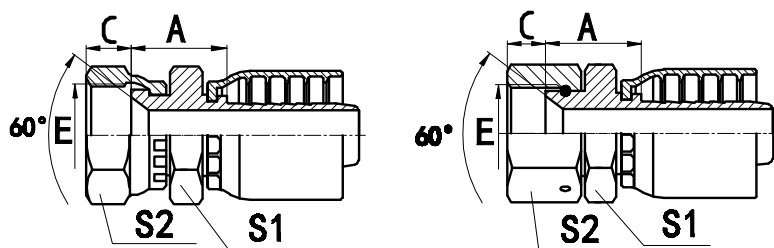
美制JIC 内螺纹74° 内锥面双六角

IC FEMALE 74° CONE SEAT DOUBLE HEXAGON

序号 SN	产品代号 PART NO.	螺纹 E THREAD E	胶管HOSE BORE		尺寸 DIMENSIONS			
			公称内径 DN	标号 DASH	A	C	S1	S2
1	26711DY-04-04SM	7/16"X20	6	04	20	9	S12	S15
2	26711DY-04-05SM	7/16"X20	8	05	20	9	S14	S15
3	26711DY-06-06SM	9/16"X18	10	06	21	10.5	S17	S19
4	26711DY-06-08SM	9/16"X18	13	08	21.5	10.5	S19	S19
5	26711DY-08-06SM	3/4"X16	10	06	25	11	S19	S24
6	26711DY-08-08SM	3/4"X16	13	08	24.5	11	S19	S24
7	26711DY-08-10SM	3/4"X16	16	10	25.5	11	S22	S24
8	26711DY-10-08SM	7/8"X14	13	08	25	13	S22	S27
9	26711DY-10-10SM	7/8"X14	16	10	27	13	S22	S27
10	26711DY-12-10SM	1.1/16"X12	16	10	32	15	S27	S32
11	26711DY-12-12SM	1.1/16"X12	19	12	32	15	S27	S32
12	26711DY-16-12SM	1.5/16"X12	19	12	33.5	16	S32	S41
13	26711DY-16-16SM	1.5/16"X12	25	16	34.5	16	S32	S41
14	26711DY-20-20SMW	1.5/8"X12	32	20	38	17	S41	S50
15	26711DY-24-20SMW	1.7/8"X12	32	20	41.5	20	S46	S55
16	26711DY-24-24SMW	1.7/8"X12	38	24	41.5	20	S46	S55
17	26711DY-32-24SMW	2.1/2"X12	38	24	44	23.5	S65	S75
18	26711DY-32-32SMW	2.1/2"X12	51	32	44	23.5	S65	S75

注：表中代号用于编织软管，如用于缠绕软管代号改为26712DY-XX-XXSM。

Note:NO. in table match with braided hose.P/N 26712DY-XX match with spiral hose.



28611Y

28611YW

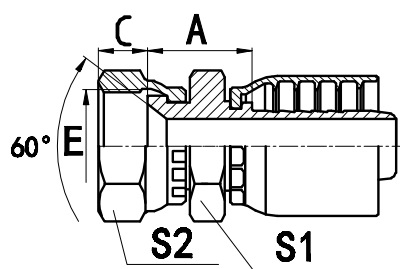
日本公制内螺纹60°内锥面

JIS METRIC FEMALE 60° CONE SEAT

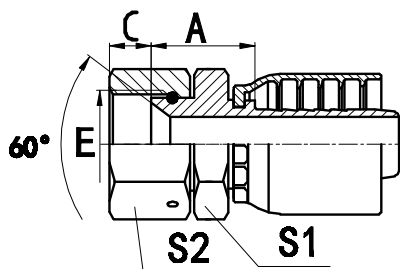
序号 SN	产品代号 PART NO.	螺纹 E THREAD E	胶管HOSE BORE		尺寸 DIMENSIONS			
			公称内径 DN	标号 DASH	A	C	S1	S2
1	28611Y-14-04	M14X1.5	6	04	21	10.5	19	19
2	28611Y-16-05	M16X1.5	8	05	24	10	22	22
3	28611Y-16-06	M16X1.5	10	06	24	10	22	22
4	28611Y-18-06	M18X1.5	10	06	24	11.5	24	24
5	28611Y-20-08	M20X1.5	12	08	28.5	12	27	27
6	28611Y-22-08	M22X1.5	12	08	28.5	14	27	27
7	28611Y-24-08	M24X1.5	12	08	28.5	15	32	32
8	28611Y-24-10	M24X1.5	16	10	29	15	32	32
9	28611Y-30-12	M30X1.5	20	12	28.5	18.3	36	36
10	28611Y-33-12	M33X1.5	20	12	31	21.3	41	41
11	28611Y-36-16	M36X1.5	25	16	34.5	20	46	46
12	28611Y-42-20W	M42X1.5	32	20	40	18.8	55	55

注：表中代号用于编织软管，如用于缠绕软管代号改为28612Y-XX-XX。

Note:NO. in table match with braided hose.P/N 28612Y-XX match with spiral hose.



29611Y



29611YW

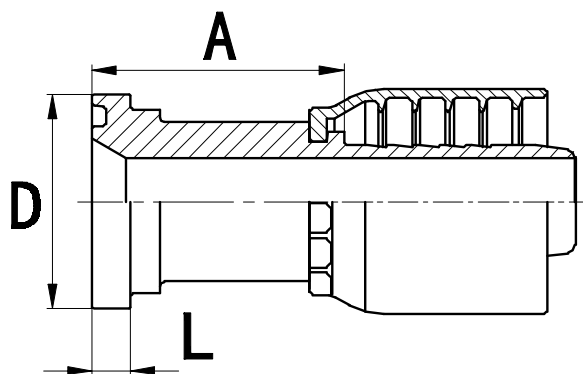
日本英制内螺纹60°内锥面

JIS GAS FEMALE 60° CONE SEAT

序号 SN	产品代号 PART NO.	螺纹 E THREAD E	胶管HOSE BORE		尺寸 DIMENSIONS			
			公称内径 DN	标号 DASH	A	C	S1	S2
1	29611Y-04-04	G1/4"X19	6	04	21	8	S19	S19
2	29611Y-06-05	G3/8"X19	8	05	23	9	S22	S22
3	29611Y-06-06	G3/8"X19	10	06	23	9	S22	S22
4	29611Y-08-08	G1/2"X14	13	08	26.5	12	S27	S27
5	29611Y-10-10	G5/8"X14	16	10	30.5	11.5	S30	S30
6	29611Y-12-12	G3/4"X14	19	12	30.5	13.5	S32	S32
7	29611Y-16-16	G1"X11	25	16	34	16	S41	S41
8	29611Y-20-20W	G1.1/4"X11	32	20	43	18.5	S50	S50
9	29611Y-24-24W	G1.1/2"X11	38	24	43.5	19	S55	S55
10	29611Y-32-32W	G2"X11	51	32	46.5	23	S70	S70

注：表中代号用于编织软管，如用于缠绕软管代号改为29612Y-XX-XX。

Note:NO. in table match with braided hose.P/N 29612Y-XX match with spiral hose.



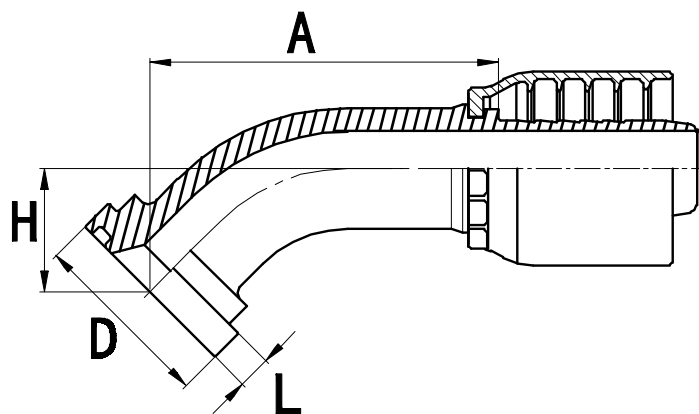
87311Y

SAE 法兰 3000 PSI

SAE FLANGE 3000 PSI

序号 SN	产品代号 PART NO.	法兰型号 FLANGE NO.	胶管HOSE BORE		尺寸 DIMENSIONS		
			公称内径 DN	标号 DASH	A	D	L
1	87311Y-08-08	1/2"	13	08	46	30.2	6.73
2	87311Y-08-10	1/2"	16	10	47.5	30.2	6.73
3	87311Y-12-08	3/4"	13	08	47	38.1	6.73
4	87311Y-12-10	3/4"	16	10	48	38.1	6.73
5	87311Y-12-12	3/4"	19	12	48	38.1	6.73
6	87311Y-12-16	3/4"	25	16	49	38.1	6.73
7	87311Y-16-12	1"	19	12	51	44.4	8
8	87311Y-16-16	1"	25	16	52	44.4	8
9	87311Y-16-20	1"	32	20	53	44.4	8
10	87311Y-20-12	1.1/4"	19	12	56	50.8	8
11	87311Y-20-16	1.1/4"	25	16	57	50.8	8
12	87311Y-20-20	1.1/4"	32	20	58	50.8	8
13	87311Y-20-24	1.1/4"	38	24	61	50.8	8
14	87311Y-24-20	1.1/2"	32	20	68	60.3	8
15	87311Y-24-24	1.1/2"	38	24	68	60.3	8
16	87311Y-32-24	2"	38	24	70	71.4	9.53
17	87311Y-32-32	2"	51	32	70	71.4	9.53
18	87311Y-40-32	2.1/2"	51	32	73	84.1	9.53

注：表中代号用于编织软管，如用于缠绕软管代号改为87312Y-XX-XX。
 Note:NO. in table match with braided hose.P/N 87312Y-XX match with spiral hose.



87341Y

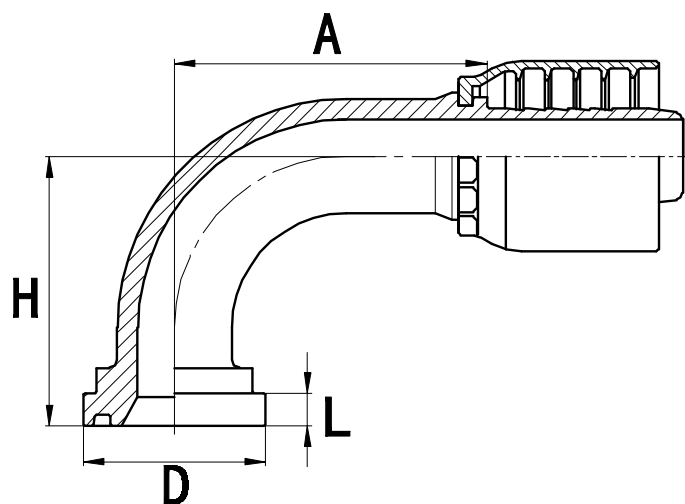
45° SAE 法兰 3000 PSI

45° SAE FLANGE 3000 PSI

序号 SN	产品代号 PART NO.	法兰型号 FLANGE NO.	胶管 HOSE BORE		尺寸 DIMENSIONS			
			公称内径 DN	标号 DASH	A	H	D	L
1	87341Y-08-08	1/2"	13	08	49.9	22.9	30.2	6.73
2	87341Y-12-08	3/4"	13	08	49.9	22.9	38.1	6.73
3	87341Y-12-10	3/4"	16	10	61.1	24.3	38.1	6.73
4	87341Y-12-12	3/4"	19	12	67.6	25.9	38.1	6.73
5	87341Y-16-12	1"	19	12	67.6	25.9	44.4	8
6	87341Y-16-16	1"	25	16	79.7	29.4	44.4	8
7	87341Y-16-20	1"	32	20	94	33.8	44.4	8
8	87341Y-20-16	1.1/4"	25	16	79.7	29.3	50.8	8
9	87341Y-20-20	1.1/4"	32	20	94	33.8	50.8	8
10	87341Y-24-20	1.1/2"	32	20	95.4	35.2	60.3	8
11	87341Y-24-24	1.1/2"	38	24	107	38.3	60.3	8
12	87341Y-32-24	2"	38	24	107	38.3	71.4	9.53
13	87341Y-32-32	2"	51	32	135	46.3	71.4	9.53
14	87341Y-40-32	2.1/2"	51	32	131	47.8	84.1	9.53

注：表中代号用于编织软管，如用于缠绕软管代号改为87342Y-XX-XX。

Note:NO. in table match with braided hose.P/N 87342Y-XX match with spiral hose.

**87391Y**

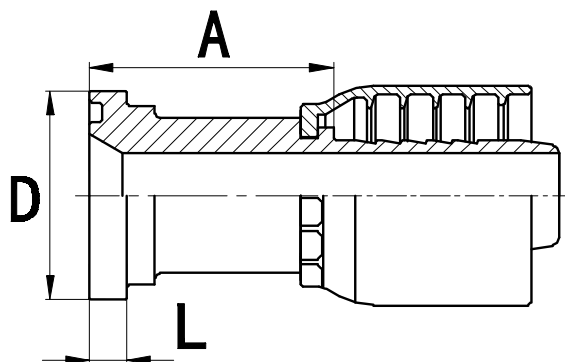
90° SAE 法兰 3000 PSI

90° SAE FLANGE 3000 PSI

序号 SN	产品代号 PART NO.	法兰型号 FLANGE NO.	胶管 HOSE BORE		尺寸 DIMENSIONS			
			公称内径 DN	标号 DASH	A	H	D	L
1	87391Y-08-08	1/2"	13	08	41	46.5	30.2	6.73
2	87391Y-08-10	1/2"	16	10	53.5	50	30.2	6.73
3	87391Y-12-08	3/4"	13	08	41	46.5	38.1	6.73
4	87391Y-12-10	3/4"	16	10	53.5	51	38.1	6.73
5	87391Y-12-12	3/4"	19	12	61	56	38.1	6.73
6	87391Y-16-12	1"	19	12	61	56	44.4	8
7	87391Y-16-16	1"	25	16	75	66	44.4	8
8	87391Y-16-20	1"	32	20	91	78.5	44.4	8
9	87391Y-20-12	1.1/4"	19	12	61	56	50.8	8
10	87391Y-20-16	1.1/4"	25	16	75	66	50.8	8
11	87391Y-20-20	1.1/4"	32	20	91	78.5	50.8	8
12	87391Y-20-24	1.1/4"	38	24	97.5	78.5	50.8	8
13	87391Y-24-20	1.1/2"	32	20	91	80.5	60.3	8
14	87391Y-24-24	1.1/2"	38	24	106	91	60.3	8
15	87391Y-32-24	2"	38	24	106	91	71.4	9.53
16	87391Y-32-32	2"	51	32	132	114	71.4	9.53
17	87391Y-40-32	2.1/2"	51	32	132	116	84.1	9.53

注：表中代号用于编织软管，如用于缠绕软管代号改为87392Y-XX-XX。

Note:NO. in table match with braided hose.P/N 87392Y-XX match with spiral hose.



87611Y

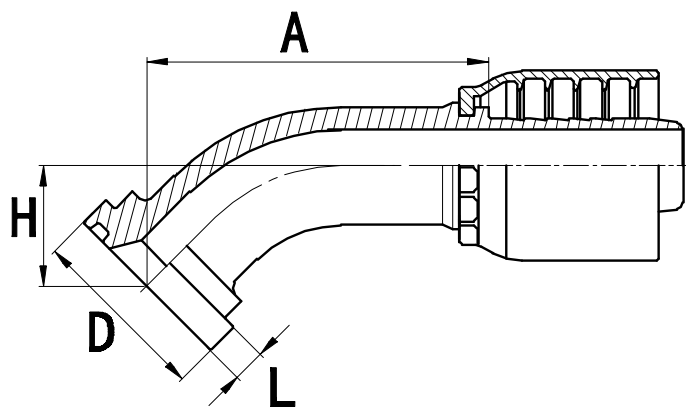
SAE 法兰 6000 PSI

SAE FLANGE 6000 PSI

序号 SN	产品代号 PART NO.	法兰型号 FLANGE NO.	胶管HOSE BORE		尺寸 DIMENSIONS		
			公称内径 DN	标号 DASH	A	D	L
1	87611Y-08-08	1/2"	13	08	47	31.7	7.75
2	87611Y-08-10	1/2"	16	10	48	31.7	7.75
3	87611Y-12-08	3/4"	13	08	50	41.3	8.76
4	87611Y-12-10	3/4"	16	10	51	41.3	8.76
5	87611Y-12-12	3/4"	19	12	51	41.3	8.76
6	87611Y-12-16	3/4"	25	16	52	41.3	8.76
7	87611Y-16-12	1"	19	12	56	47.6	9.53
8	87611Y-16-16	1"	25	16	57	47.6	9.53
9	87611Y-16-20	1"	32	20	61	47.6	9.53
11	87611Y-20-16	1.1/4"	25	16	65	54	10.3
12	87611Y-20-20	1.1/4"	32	20	66	54	10.3
13	87611Y-24-20	1.1/2"	32	20	75	63.5	12.6
14	87611Y-24-24	1.1/2"	38	24	75	63.5	12.6
15	87611Y-32-24	2"	38	24	85	79.4	12.6
16	87611Y-32-32	2"	51	32	85	79.4	12.6

注：表中代号用于编织软管，如用于缠绕软管代号改为87612Y-XX-XX。

Note:NO. in table match with braided hose.P/N 87612Y-XX match with spiral hose.



87641Y

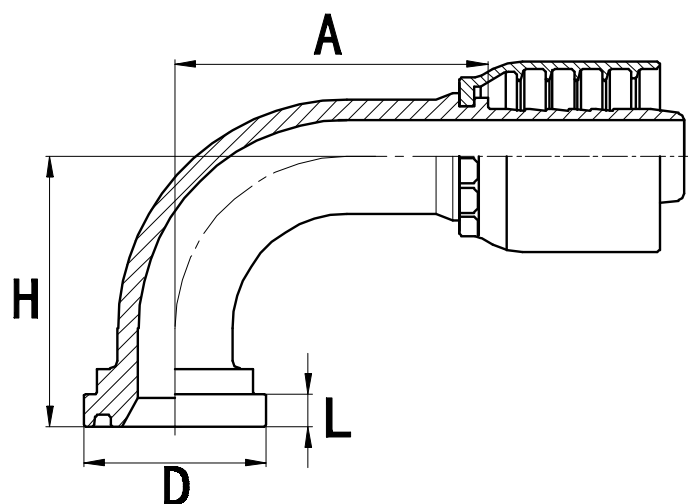
45° SAE 法兰 6000 PSI

45° SAE FLANGE 6000 PSI

序号 SN	产品代号 PART NO.	法兰型号 FLANGE NO.	胶管 HOSE BORE		尺寸 DIMENSIONS			
			公称内径 DN	标号 DASH	A	H	D	L
1	87641Y-08-08	1/2"	13	08	49.9	22.9	31.7	7.75
2	87641Y-12-10	3/4"	16	10	63.9	27.1	41.3	8.76
3	87641Y-12-12	3/4"	19	12	70.4	28.8	41.3	8.76
4	87641Y-16-12	1"	19	12	72.5	30.9	47.6	9.53
5	87641Y-16-16	1"	25	16	84.6	34.2	47.6	9.53
6	87641Y-20-16	1.1/4"	25	16	87.4	37.1	54	10.3
7	87641Y-20-20	1.1/4"	32	20	102	41.5	54	10.3
8	87641Y-24-20	1.1/2"	32	20	105	45.1	63.5	12.6
9	87641Y-24-24	1.1/2"	38	24	117	48.2	63.5	12.6
10	87641Y-32-32	2"	51	32	145	61.9	79.4	12.6

注：表中代号用于编织软管，如用于缠绕软管代号改为87642Y-XX-XX。

Note: NO. in table match with braided hose. P/N 87642Y-XX match with spiral hose.



87691Y

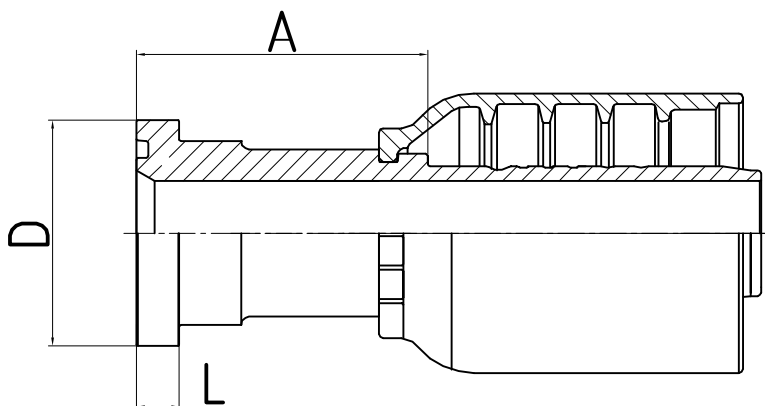
90° SAE 法兰 6000 PSI

90° SAE FLANGE 6000 PSI

序号 SN	产品代号 PART NO.	法兰型号 FLANGE NO.	胶管 HOSE BORE		尺寸 DIMENSIONS			
			公称内径 DN	标号 DASH	A	H	D	L
1	87691Y-08-08	1/2"	13	08	41	46.5	31.7	7.75
2	87691Y-08-10	1/2"	16	10	53.5	51	31.7	7.75
3	87691Y-12-08	3/4"	13	08	41	50.5	41.3	8.76
4	87691Y-12-10	3/4"	16	10	53.5	55	41.3	8.76
5	87691Y-12-12	3/4"	19	12	61	60	41.3	8.76
6	87691Y-12-16	3/4"	25	16	75	70	41.3	8.76
7	87691Y-16-12	1"	19	12	61	63	47.6	9.53
8	87691Y-16-16	1"	25	16	75	73	47.6	9.53
9	87691Y-16-20	1"	32	20	91	85.5	47.6	9.53
10	87691Y-20-16	1.1/4"	25	16	75	77	54	10.3
11	87691Y-20-20	1.1/4"	32	20	91	89.5	54	10.3
12	87691Y-24-20	1.1/2"	32	20	91	94.5	63.5	12.6
13	87691Y-24-24	1.1/2"	38	24	106	105	63.5	12.6
14	87691Y-32-24	2"	38	24	106	113	79.4	12.6
15	87691Y-32-32	2"	51	32	132	136	79.4	12.6

注：表中代号用于编织软管，如用于缠绕软管代号改为87692Y-XX-XX。

Note: NO. in table match with braided hose. P/N 87692Y-XX match with spiral hose.



87613Y

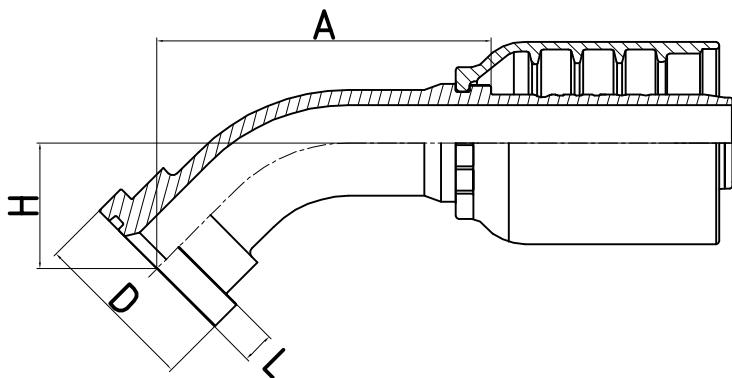
SAE 法兰 6000 PSI

SAE FLANGE 6000 PSI

序号 SN	产品代号 PART NO.	法兰型号 FLANGE NO.	胶管HOSE BORE		尺寸 DIMENSIONS		
			公称内径 DN	标号 DASH	A	D	L
1	87613Y-20-20	1.1/4"	32	20	69.8	54	10.3
2	87613Y-24-20	1.1/2"	32	20	78.8	63.5	12.6
3	87613Y-24-24	1.1/2"	38	24	78.7	63.5	12.6
4	87613Y-32-24	2"	38	24	91.2	79.4	12.6
5	87613Y-32-32	2"	51	32	91	79.4	12.6

注：表中代号用于六层钢丝超高压胶管。

NOTE: No. in table match with six spiral hose in super high pressure.



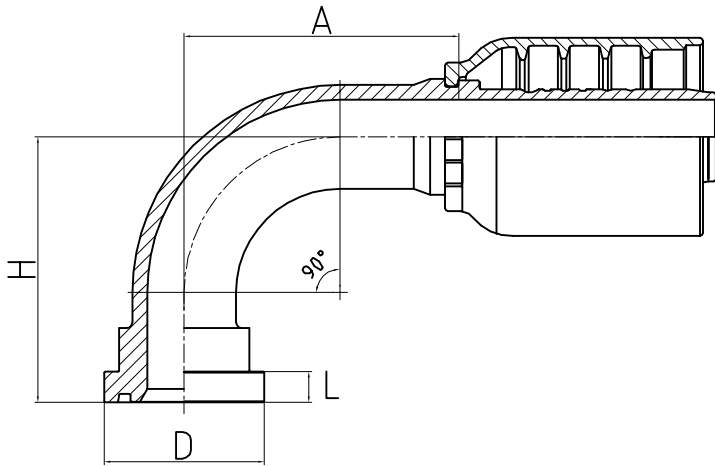
87643Y

45° SAE 法兰 6000 PSI

45° SAE FLANGE 6000 PSI

序号 SN	产品代号 PART NO.	法兰型号 FLANGE NO.	胶管HOSE BORE		尺寸 DIMENSIONS			
			公称内径 DN	标号 DASH	A	H	D	L
1	87643Y-20-20	1.1/4"	32	20	117	41.5	54	10.3
2	87643Y-24-20	1.1/2"	32	20	120	45.1	63.5	12.6
3	87643Y-24-24	1.1/2"	38	24	131	48.2	63.5	12.6
4	87643Y-32-24	2"	38	24	140	53.8	79.4	12.6
5	87643Y-32-32	2"	51	32	163	61.9	79.4	12.6

注：表中代号用于六层钢丝超高压胶管。
NOTE: No. in table match with six spiral hose in super high pressure.



87693Y

90° SAE 法兰 6000 PSI

90° SAE FLANGE 6000 PSI

序号 SN	产品代号 PART NO.	法兰型号 FLANGE NO.	胶管HOSE BORE		尺寸 DIMENSIONS			
			公称内径 DN	标号 DASH	A	H	D	L
1	87693Y-20-20	1.1/4"	32	20	106	89.5	54	10.3
2	87693Y-24-20	1.1/2"	32	20	106	94.5	63.5	12.6
3	87693Y-24-24	1.1/2"	38	24	121	105	63.5	12.6
4	87693Y-32-24	2"	38	24	121	113	79.4	12.6
5	87693Y-32-32	2"	51	32	150	136	79.4	12.6

注：表中代号用于六层钢丝超高压胶管。

NOTE: No. in table match with six spiral hose in super high pressure.