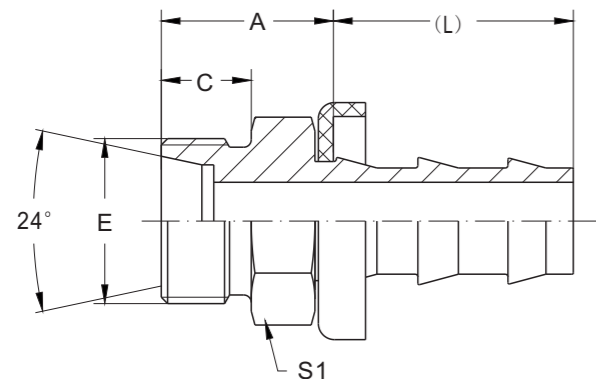


插入式软管接头 PUSH-ON HOSE FITTING

公制螺纹24°锥面轻系列 24° Cone O-Ring Seal L.T.



公制外螺纹24°内锥面轻系列
METRIC FEMALE 24° CONE SEAT L.T.
ISO 8434-1--DIN 3861

10410

型号 PART NO.	螺纹 E THREAD E	软管 HOSE BORE		管子外径 TUBE O.D.	尺寸 DIMENSIONS			
		公称内径 DN	标号 DASH		A	L	C	S1
10410-12-04	M12x1.5	6	04	6	16	19	10	12
10410-14-04	M14x1.5	6	04	8	17	19	10	14
10410-16-06	M16x1.5	10	06	10	18	22.6	11	17
10410-18-06	M18x1.5	10	06	12	18	22.6	11	19
10410-22-08	M22x1.5	12	08	15	23	26.5	12	22
10410-26-08	M26x1.5	12	08	18	21	26.5	12	27
10410-26-10	M26x1.5	16	10	18	21	37	12	27
10410-30-12	M30x2	20	12	22	27	37	14	30

注：1.表中型号材质为碳钢，K代表不带塑料挡圈。

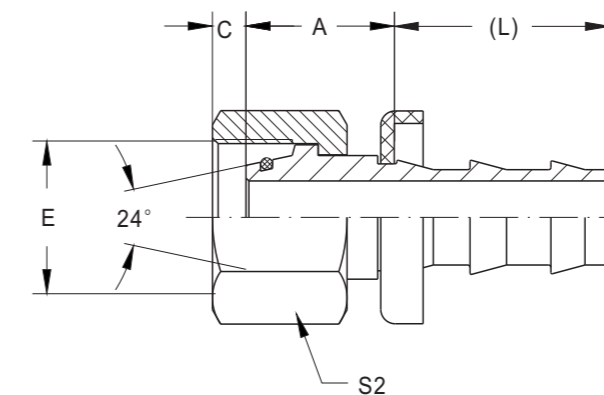
Note: 1.Type material for carbon steel in the table, K without plastic ring.

2.如需用黄铜型号改为 10410-XX-XX-B。 2.If need brass model is changed to 10410-XX-XX-B.

3.如需用不锈钢型号改为 10410-XX-XX-SS。 3.If need stainless steel models to 10410-XX-XX-SS.

插入式软管接头 PUSH-ON HOSE FITTING

公制螺纹24°锥面轻系列 24° Cone O-Ring Seal L.T.



公制内螺纹24°锥带O形圈轻系列
METRIC FEMALE 24° CONE RING L.T.
ISO 8434-1--DIN 3865

20410

型号 PART NO.	螺纹 E THREAD E	软管 HOSE BORE		管子外径 TUBE O.D.	O形圈 O RING	尺寸 DIMENSIONS			
		公称内径 DN	标号 DASH			A	L	C	S2
20410-12-04	M12x1.5	6	04	6	O04.5X1.5	21	19	1.1	14
20410-14-04	M14x1.5	6	04	8	O06.5X1.5	17	19	1.1	17
20410-16-04	M16x1.5	6	04	10	O08.0X1.5	17	19	2	19
20410-16-06	M16x1.5	10	06	10	O08.0X1.5	17	22.6	1.3	19
20410-18-06	M18x1.5	10	06	12	O10.0X1.5	17	22.6	2	22
20410-22-08	M22x1.5	12	08	15	O12.0X2.0	18	26.5	2.5	27
20410-22-10	M22x1.5	16	10	15	O12.0X2.0	23	37	2.5	27
20410-26-10	M26x1.5	16	10	18	O15.0X2.0	19	37	2.5	32
20410-30-12	M30x2	20	12	22	O20.0X2.0	21	37	3	36

注：1.表中型号材质为碳钢，K代表不带塑料挡圈。

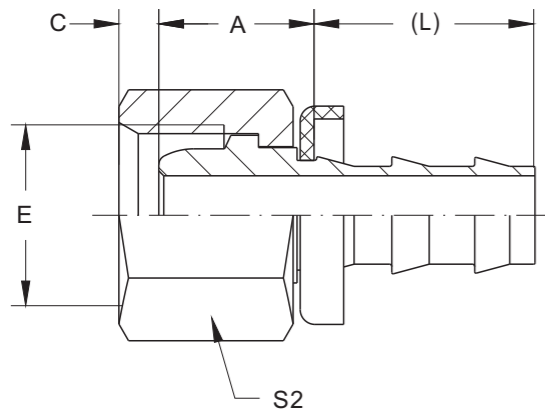
Note: 1.Type material for carbon steel in the table, K without plastic ring.

2.如需用黄铜型号改为 20410-XX-XX-B。 2.If need brass model is changed to 20410-XX-XX-B.

3.如需用不锈钢型号改为 20410-XX-XX-SS。 3.If need stainless steel models to 20410-XX-XX-SS.

插入式软管接头 PUSH-ON HOSE FITTING

公制螺纹24°锥面轻系列 24° Cone O-Ring Seal L.T.



20410C

公制内螺纹24°球面轻系列
METRIC FEMALE 24° MULTISEAL L.T.
DIN 3868

型号 PART NO.	螺纹E THREAD E	软管 HOSE BORE		管子外径 TUBE O.D.	尺寸 DIMENSIONS			
		公称内径 DN	标号 DASH		A	L	C	S2
20410C-12-04	M12x1.5	6	04	6	14	19	3.5	14
20410C-14-04	M14x1.5	6	04	8	14	19	3.5	17
20410C-16-04	M16x1.5	6	04	10	14	19	3.5	19
20410C-16-06	M16x1.5	10	06	10	15	22.6	3.5	19
20410C-18-06	M18x1.5	10	06	12	16	22.6	3	22
20410C-22-08	M22x1.5	12	08	15	15	26.5	4.5	27
20410C-22-10	M22x1.5	16	10	15	20	37	4.5	27
20410C-26-10	M26x1.5	16	10	18	17	37	4	32
20410C-30-12	M30x2	20	12	22	17	37	7	36
20410C-36-16K	M36x2	25	16	28	22	38	6.5	41

注：1.表中型号材质为碳钢，K代表不带塑料挡圈。

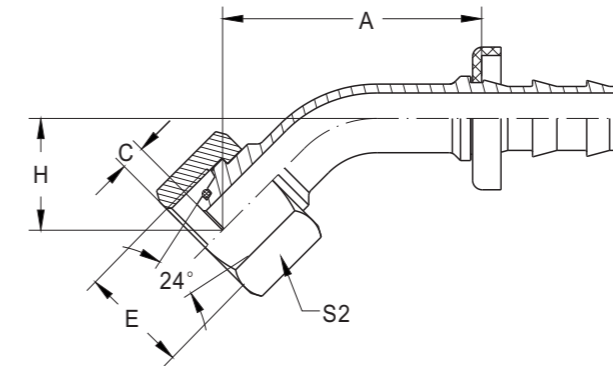
Note: 1.Type material for carbon steel in the table, K without plastic ring.

2.如需用黄铜型号改为 20410C-XX-XX-B。 2.If need brass model is changed to 20410C-XX-XX-B.

3.如需用不锈钢型号改为 20410C-XX-XX-SS。 3.If need stainless steel models to 20410C-XX-XX-SS.

插入式软管接头 PUSH-ON HOSE FITTING

公制螺纹24°锥面轻系列 24° Cone O-Ring Seal L.T.



20440

45°公制内螺纹24°锥带O形圈轻系列
45° METRIC FEMALE 24° CONE L.T.
ISO 8434-1--DIN 3865

型号 PART NO.	螺纹E THREAD E	软管 HOSE BORE		管子外径 TUBE O.D.	O形圈 O RING	尺寸 DIMENSIONS			
		公称内径 DN	标号 DASH			A	C	H	S2
20440-12-04	M12x1.5	6	04	6	O04.5X1.5	37	1.1	21	14
20440-14-04	M14x1.5	6	04	8	O06.5X1.5	31	1.1	16	17
20440-16-06	M16x1.5	10	06	10	O08.0X1.5	37	1.3	19	19
20440-18-06	M18x1.5	10	06	12	O10.0X1.5	37	2	19	22
20440-22-08	M22x1.5	12	08	15	O12.0X2.0	43	2.5	21	27
20440-26-10	M26x1.5	16	10	18	O15.0X2.0	46	2.5	23	32
20440-30-12	M30x2	20	12	22	O20.0X2.0	60	3	26	36

注：1.表中型号材质为碳钢，K代表不带塑料挡圈。

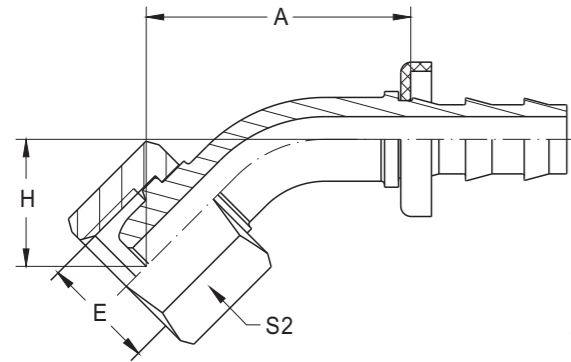
Note: 1.Type material for carbon steel in the table, K without plastic ring.

2.如需用黄铜型号改为 20440-XX-XX-B。 2.If need brass model is changed to 20440-XX-XX-B.

3.如需用不锈钢型号改为 20440-XX-XX-SS。 3.If need stainless steel models to 20440-XX-XX-SS.

插入式软管接头 PUSH-ON HOSE FITTING

公制螺纹24°锥面轻系列 24° Cone O-Ring Seal L.T.



45°公制内螺纹24°球面轻系列
45° METRIC FEMALE 24° MULTISEAL L.T.
DIN3868

20440C

型号 PART NO.	螺纹E THREAD E	软管 HOSE BORE		管子外径 TUBE O.D.	尺寸 DIMENSIONS			
		公称内径 DN	标号 DASH		A	C	H	S2
20440C-12-04	M12x1.5	6	04	6	32	3.5	16	14
20440C-14-04	M14x1.5	6	04	8	32	3.5	16	17
20440C-16-06	M16x1.5	10	06	10	35	3.5	18	19
20440C-18-06	M18x1.5	10	06	12	36	3	18	22
20440C-22-08	M22x1.5	12	08	15	41	4.5	19	27
20440C-22-10	M22x1.5	16	10	15	45	4.5	21	27
20440C-26-10	M26x1.5	16	10	18	45	4	21	32
20440C-26-12	M26x1.5	20	12	18	62	4	31	32
20440C-30-12	M30x2	20	12	22	52	7	23	36
20440C-36-16K	M36x2	25	16	28	67	6.5	30	41

注：1.表中型号材质为碳钢，K代表不带塑料挡圈。

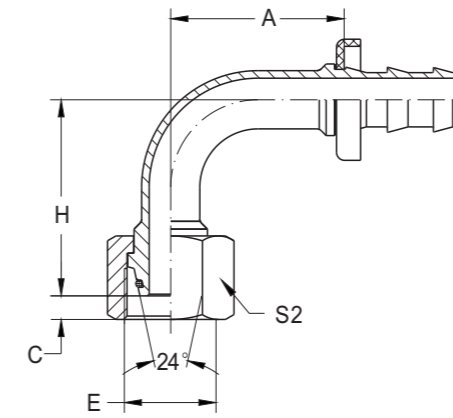
Note: 1.Type material for carbon steel in the table, K without plastic ring.

2.如需用黄铜型号改为 20440C-XX-XX-B。 2.If need brass model is changed to 20440C-XX-XX-B.

3.如需用不锈钢型号改为 20440C-XX-XX-SS。 3.If need stainless steel models to 20440C-XX-XX-SS.

插入式软管接头 PUSH-ON HOSE FITTING

公制螺纹24°锥面轻系列 24° Cone O-Ring Seal L.T.



90°公制内螺纹24°锥带O形圈轻系列
90° METRIC FEMALE 24° CONE L.T.
ISO 8434-1--DIN 3865

20490

型号 PART NO.	螺纹E THREAD E	软管 HOSE BORE		管子外径 TUBE O.D.	O形圈 O RING	尺寸 DIMENSIONS			
		公称内径 DN	标号 DASH			A	C	H	S2
20490-12-04	M12x1.5	6	04	6	O04.5X1.5	23	1.1	36	14
20490-14-04	M14x1.5	6	04	8	O06.5X1.5	23	1.1	32	17
20490-16-04	M16x1.5	6	04	10	O08.0X1.5	23	2	31	19
20490-16-06	M16x1.5	10	06	10	O08.0X1.5	27	1.3	35	19
20490-18-06	M18x1.5	10	06	12	O10.0X1.5	27	2	36	22
20490-22-08	M22x1.5	12	08	15	O12.0X2.0	32	2.5	41	27
20490-26-10	M26x1.5	16	10	18	O15.0X2.0	37	2.5	45	32
20490-30-12	M30x2	20	12	22	O20.0X2.0	51	3	55	36

注：1.表中型号材质为碳钢，K代表不带塑料挡圈。

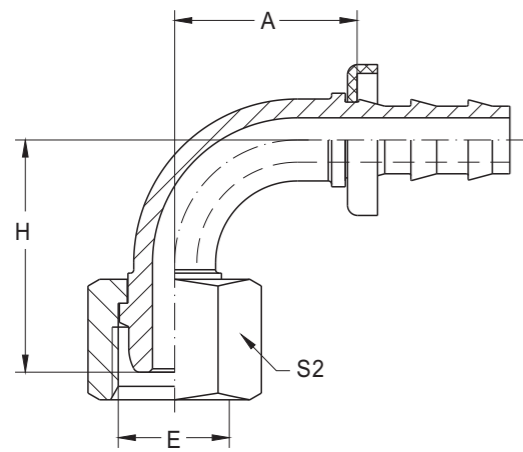
Note: 1.Type material for carbon steel in the table, K without plastic ring.

2.如需用黄铜型号改为 20490-XX-XX-B。 2.If need brass model is changed to 20490-XX-XX-B.

3.如需用不锈钢型号改为 20490-XX-XX-SS。 3.If need stainless steel models to 20490-XX-XX-SS.

插入式软管接头 PUSH-ON HOSE FITTING

公制螺纹24°锥面轻系列 24° Cone O-Ring Seal L.T.



20490C

90°公制内螺纹24°球面轻系列
90°METRIC FEMALE 24° MULTISEAL L.T.
DIN3868

型号 PART NO.	螺纹E THREAD E	软管 HOSE BORE		管子外径 TUBE O.D.	尺寸 DIMENSIONS			
		公称内径 DN	标号 DASH		A	C	H	S2
20490C-12-04	M12x1.5	6	04	6	23	3.5	29	14
20490C-14-04	M14x1.5	6	04	8	23	3.5	29	17
20490C-16-04	M16x1.5	6	04	10	23	3.5	29	19
20490C-16-06	M16x1.5	10	06	10	27	3.5	33	19
20490C-18-06	M18x1.5	10	06	12	27.5	3	35	22
20490C-22-08	M22x1.5	12	08	15	34	4.5	39	27
20490C-26-10	M26x1.5	16	10	18	37	4	43	32
20490C-30-12	M30x2	20	12	22	51	7	50	36
20490C-36-16K	M36x2	25	16	28	61	6.5	70	41

注：1.表中型号材质为碳钢，K代表不带塑料挡圈。

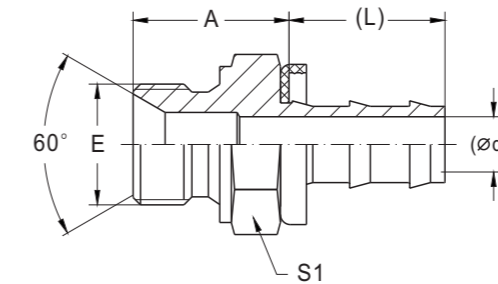
Note: 1.Type material for carbon steel in the table, K without plastic ring.

2.如需用黄铜型号改为 20490C-XX-XX-B. 2.If need brass model is changed to 20490C-XX-XX-B.

3.如需用不锈钢型号改为 20490C-XX-XX-SS. 3.If need stainless steel models to 20490C-XX-XX-SS.

插入式软管接头 PUSH-ON HOSE FITTING

英制管螺纹60°锥面密封 BSPP 60° Cone Seal



12610A

英管外螺纹60°内锥面
BSPP MALE 60°CONE SEAL

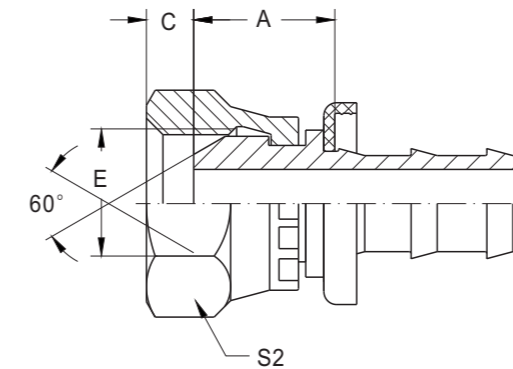
型号 PART NO.	螺纹E THREAD E	软管 HOSE BORE		尺寸 DIMENSIONS			
		公称内径 DN	标号 DASH	A	L	S1	d
12610A-02-04	G1/8x28	6	04	17	19	14	4.3
12610A-04-04	G1/4x19	6	04	23	19	19	4.3
12610A-04-06	G1/4x19	10	06	21	22.6	19	7.0
12610A-06-06	G3/8x19	10	06	23	22.6	22	7.0
12610A-08-08	G1/2x14	12	08	27	26.5	27	9.6
12610A-10-10	G5/8x14	16	10	28	37	30	12.0
12610A-12-12	G3/4x14	20	12	28	37	32	15.2

注：1.表中型号材质为碳钢，K代表不带塑料挡圈。

Note: 1.Type material for carbon steel in the table, K without plastic ring.

2.如需用黄铜型号改为 12610A-XX-XX-B. 2.If need brass model is changed to 12610A-XX-XX-B.

3.如需用不锈钢型号改为 12610A-XX-XX-SS. 3.If need stainless steel models to 12610A-XX-XX-SS.



22610

英管内螺纹60°外锥面
BSPP FEMALE 60°CONE

型号 PART NO.	螺纹E THREAD E	软管 HOSE BORE		尺寸 DIMENSIONS		
		公称内径 DN	标号 DASH	A	C	S2
22610-04-04	G1/4x19	6	04	15	4.5	19
22610-06-04	G3/8x19	6	04	18	6.0	22
22610-06-06	G3/8x19	10	06	17	6.0	22
22610-08-08	G1/2x14	12	08	18	6.5	27
22610-10-10	G5/8x14	16	10	18	9.7	30
22610-12-12	G3/4x14	20	12	21	8.7	32
22610-16-16K	G1x11	25	16	20	10.5	41

注：1.表中型号材质为碳钢，K代表不带塑料挡圈。

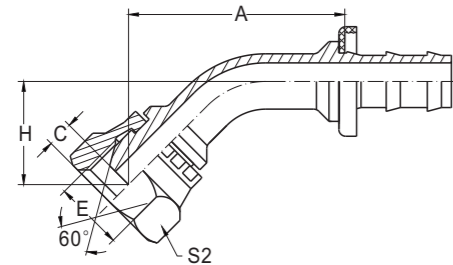
Note: 1.Type material for carbon steel in the table, K without plastic ring.

2.如需用黄铜型号改为 22610-XX-XX-B. 2.If need brass model is changed to 22610-XX-XX-B.

3.如需用不锈钢型号改为 22610-XX-XX-SS. 3.If need stainless steel models to 22610-XX-XX-SS.

插入式软管接头 PUSH-ON HOSE FITTING

英制管螺纹60°锥面密封 BSPP 60° Cone Seal



45°英管内螺纹60°外锥面
45°BSPP FEMALE 60° CONE

22640

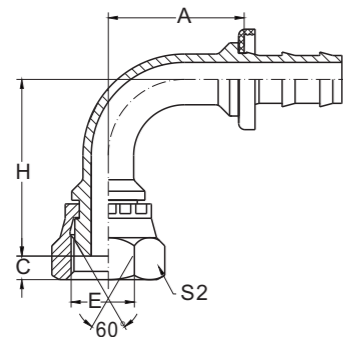
型号 PART NO.	螺纹E THREAD E	软管 HOSE BORE		尺寸 DIMENSIONS			
		公称内径 DN	标号 DASH	A	C	H	S2
22640-04-04	G1/4x19	6	04	32	4.5	16	19
22640-06-06	G3/8x19	10	06	35	6.0	18	22
22640-08-08	G1/2x14	12	08	41	6.5	19	27
22640-10-10	G5/8x14	16	10	45	9.7	21	30
22640-12-12	G3/4x14	20	12	55	8.7	27	32
22640-16-16K	G1x11	25	16	68	10.5	31	41

注：1.表中型号材质为碳钢，K代表不带塑料挡圈。

Note: 1.Type material for carbon steel in the table, K without plastic ring.

2.如需用黄铜型号改为 22640-XX-XX-B。 2.If need brass model is changed to 22640-XX-XX-B.

3.如需用不锈钢型号改为 22640-XX-XX-SS。 3.If need stainless steel models to 22640-XX-XX-SS.



90°英管内螺纹60°外锥面
90°BSPP FEMALE 60° CONE

22690

型号 PART NO.	螺纹E THREAD E	软管 HOSE BORE		尺寸 DIMENSIONS			
		公称内径 DN	标号 DASH	A	C	H	S2
22690-04-04	G1/4x19	6	04	23	4.5	29	19
22690-06-06	G3/8x19	10	06	27	6.0	33	22
22690-08-08	G1/2x14	12	08	34	6.5	39	27
22690-10-08	G1/2x14	12	08	34	9.7	40	30
22690-10-10	G5/8x14	16	10	37	9.7	43	30
22690-12-12	G3/4x14	20	12	51	8.7	53	32
22690-16-16K	G1x11	25	16	61	10.5	68	41

注：1.表中型号材质为碳钢，K代表不带塑料挡圈。

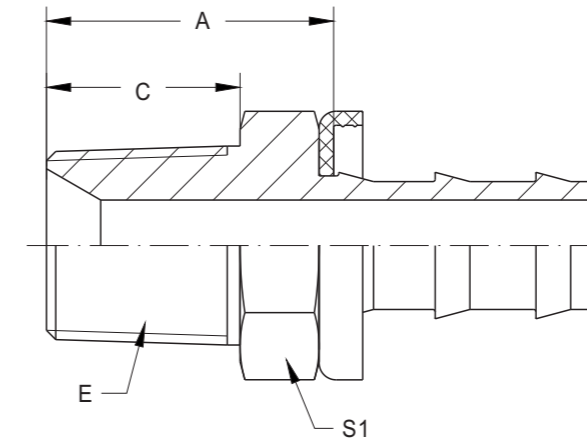
Note: 1.Type material for carbon steel in the table, K without plastic ring.

2.如需用黄铜型号改为 22690-XX-XX-B。 2.If need brass model is changed to 22690-XX-XX-B.

3.如需用不锈钢型号改为 22690-XX-XX-SS。 3.If need stainless steel models to 22690-XX-XX-SS.

插入式软管接头 PUSH-ON HOSE FITTING

英制锥管螺纹 BSPT



英制锥管外螺纹
BSPT MALE

13010

型号 PART NO.	螺纹E THREAD E	软管 HOSE BORE		尺寸 DIMENSIONS		
		公称内径 DN	标号 DASH	A	C	S1
13010-02-04	R1/8x28	6	04	18	10	12
13010-04-04	R1/4x19	6	04	21	14.5	14
13010-04-06	R1/4x19	10	06	21	14.5	17
13010-06-06	R3/8x19	10	06	22	15	19
13010-06-08	R3/8x19	12	08	22	15	19
13010-08-08	R1/2x14	12	08	29	20	22
13010-08-10	R1/2x14	16	10	28	20	22
13010-12-10	R3/4x14	16	10	31	20	27
13010-12-12	R3/4x14	20	12	31	20	27
13010-16-16K	R1x11	25	16	38	25.5	36

注：1.表中型号材质为碳钢，K代表不带塑料挡圈。

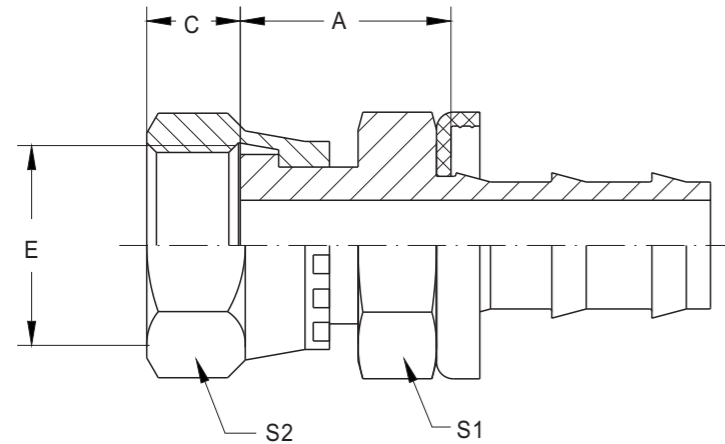
Note: 1.Type material for carbon steel in the table, K without plastic ring.

2.如需用黄铜型号改为 13010-XX-XX-B。 2.If need brass model is changed to 13010-XX-XX-B.

3.如需用不锈钢型号改为 13010-XX-XX-SS。 3.If need stainless steel models to 13010-XX-XX-SS.

插入式软管接头 PUSH-ON HOSE FITTING

美制ORFS 螺纹平面密封 ORFS Face Seal



美制ORFS 内螺纹平面
ORFS FEMALE FLAT SEAT
ISO 8434-3--SAE J1453

24210

型号 PART NO.	螺纹E THREAD E	软管 HOSE BORE		尺寸 DIMENSIONS			
		公称内径 DN	标号 DASH	A	C	S1	S2
24210-04-04	9/16x18	6	04	17	8.2	14	17
24210-06-06	11/16x16	10	06	18	9.5	19	22
24210-08-06	13/16x16	10	06	20	11	22	24
24210-08-08	13/16x16	12	08	20	11	22	24
24210-08-10	13/16x16	16	10	21	11	22	24
24210-10-10	1x14	16	10	24	13.5	24	30
24210-10-12	1x14	20	12	24	13.5	27	30
24210-12-12	1-3/16x12	20	12	30	14.5	30	36

注：1.表中型号材质为碳钢，K代表不带塑料挡圈。

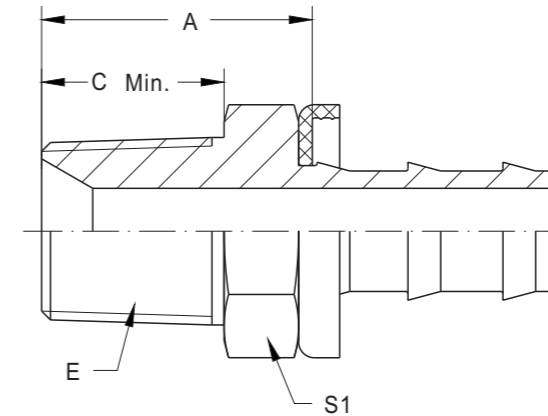
Note: 1.Type material for carbon steel in the table, K without plastic ring.

2.如需用黄铜型号改为 24210-XX-XX-B. 2.If need brass model is changed to 24210-XX-XX-B.

3.如需用不锈钢型号改为 24210-XX-XX-SS. 3.If need stainless steel models to 24210-XX-XX-SS.

插入式软管接头 PUSH-ON HOSE FITTING

美制锥螺纹 NPTF



美制锥管外螺纹
NPTF MALE

15610

型号 PART NO.	螺纹E THREAD E	软管 HOSE BORE		尺寸 DIMENSIONS		
		公称内径 DN	标号 DASH	A	C	S1
15610-02-04	1/8x27 NPTF	6	04	16	9.65	12
15610-04-04	1/4x18 NPTF	6	04	21	14.22	14
15610-04-06	1/4x18 NPTF	10	06	22	14.22	14
15610-06-06	3/8x18 NPTF	10	06	22	14.22	19
15610-06-08	3/8x18 NPTF	12	08	22	14.22	19
15610-08-04	1/2x14 NPTF	6	04	29	19.05	22
15610-08-06	1/2x14 NPTF	10	06	29	19.05	22
15610-08-08	1/2x14 NPTF	12	08	29	19.05	22
15610-08-10	1/2x14 NPTF	16	10	29	19.05	22
15610-08-12	1/2x14 NPTF	20	12	29	19.05	22
15610-12-12	3/4x14 NPTF	20	12	29	19.05	27

注：1.表中型号材质为碳钢，K代表不带塑料挡圈。

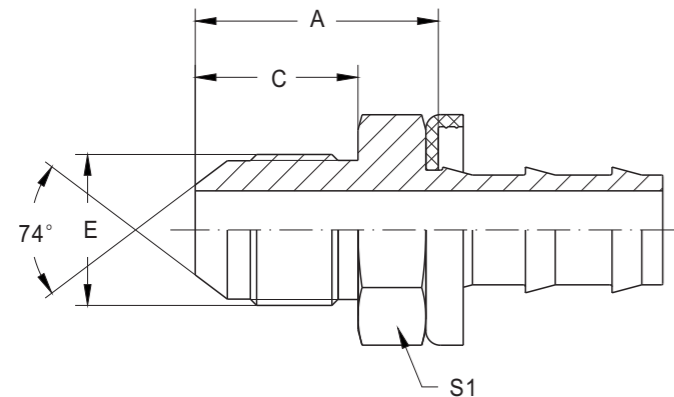
Note: 1.Type material for carbon steel in the table, K without plastic ring.

2.如需用黄铜型号改为 15610-XX-XX-B. 2.If need brass model is changed to 15610-XX-XX-B.

3.如需用不锈钢型号改为 15610-XX-XX-SS. 3.If need stainless steel models to 15610-XX-XX-SS.

插入式软管接头 PUSH-ON HOSE FITTING

美制JIC螺纹 74°锥密封 JIC 74° Cone Seal



美制JIC外螺纹74°外锥面
JIC MALE 74°CONE
ISO 8434-2--SAE J514

16710

型号 PART NO.	螺纹E THREAD E	软管 HOSE BORE		尺寸 DIMENSIONS		
		公称内径 DN	标号 DASH	A	C	S1
16710-04-04	7/16x20	6	04	21	14	12
16710-06-04	9/16x18	6	04	22	14.1	17
16710-06-06	9/16x18	10	06	22	14.1	17
16710-08-06	3/4x16	10	06	26	16.7	19
16710-08-08	3/4x16	12	08	26	16.7	19
16710-10-10	7/8x14	16	10	30	19.3	24
16710-10-12	7/8x14	20	12	30	19.3	24
16710-12-08	1-1/16x12	12	08	32	21.9	30
16710-12-10	1-1/16x12	16	10	32	21.9	30
16710-12-12	1-1/16x12	20	12	32	21.9	30

注：1.表中型号材质为碳钢，K代表不带塑料挡圈。

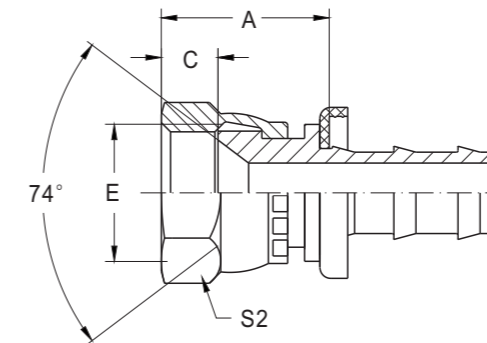
Note: 1.Type material for carbon steel in the table, K without plastic ring.

2.如需用黄铜型号改为 16710-XX-XX-B. 2.If need brass model is changed to 16710-XX-XX-B.

3.如需用不锈钢型号改为 16710-XX-XX-SS. 3.If need stainless steel models to 16710-XX-XX-SS.

插入式软管接头 PUSH-ON HOSE FITTING

美制JIC螺纹 74°锥密封 JIC 74° Cone Seal



美制JIC内螺纹74°内锥面
JIC FEMALE 74°CONE SEAL
ISO8434-2--SAE J514

26710

型号 PART NO.	螺纹E THREAD E	软管 HOSE BORE		尺寸 DIMENSIONS		
		公称内径 DN	标号 DASH	A	C	S2
26710-04-04	7/16x20	6	04	21	8.7	14
26710-05-04	1/2x20	6	04	21	9.5	17
26710-05-06	1/2x20	10	06	21	9.5	17
26710-06-04	9/16x18	6	04	22	9.5	19
26710-06-06	9/16x18	10	06	22	9.5	19
26710-08-06	3/4x16	10	06	25	10.7	22
26710-08-08	3/4x16	12	08	25	10.7	22
26710-10-08	7/8x14	12	08	28	12.7	27
26710-10-10	7/8x14	16	10	28	12.7	27
26710-12-12	1-1/16x12	20	12	30	14.3	32
26710-16-16K	1-5/16x12	25	16	33	15.1	41

注：1.表中型号材质为碳钢，K代表不带塑料挡圈。

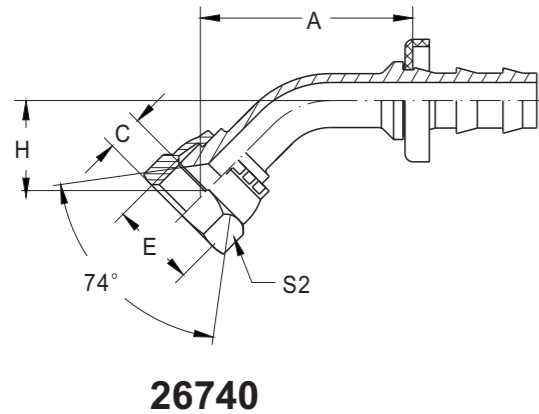
Note: 1.Type material for carbon steel in the table, K without plastic ring.

2.如需用黄铜型号改为 26710-XX-XX-B. 2.If need brass model is changed to 26710-XX-XX-B.

3.如需用不锈钢型号改为 26710-XX-XX-SS. 3.If need stainless steel models to 26710-XX-XX-SS.

插入式软管接头 PUSH-ON HOSE FITTING

美制JIC螺纹 74°锥密封 JIC 74° Cone Seal



45°美制JIC内螺纹 74°内锥面
45° JIC FEMALE 74° CONE SEAT
ISO8434-2--SAE J514

26740

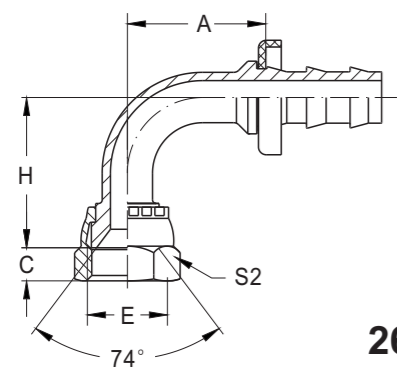
型号 PART NO.	螺纹 E THREAD E	软管 HOSE BORE		尺寸 DIMENSIONS			
		公称内径 DN	标号 DASH	A	C	H	S2
26740-04-04	7/16x20	6	04	20	8.7	10	14
26740-06-06	9/16x18	10	06	28	9.5	11	19
26740-08-08	3/4x16	12	08	35	10.7	14	22

注：1.表中型号材质为碳钢，K代表不带塑料挡圈。

Note: 1.Type material for carbon steel in the table, K without plastic ring.

2.如需用黄铜型号改为 26740-XX-XX-B. 2.If need brass model is changed to 26740-XX-XX-B.

3.如需用不锈钢型号改为 26740-XX-XX-SS. 3.If need stainless steel models to 26740-XX-XX-SS.



90°美制JIC内螺纹 74°内锥面
90° JIC FEMALE 74° CONE SEAT
ISO8434-2--SAE J514

26790

型号 PART NO.	螺纹 E THREAD E	软管 HOSE BORE		尺寸 DIMENSIONS			
		公称内径 DN	标号 DASH	A	C	H	S2
26790-04-04	7/16x20	6	04	20	8.7	21	14
26790-06-06	9/16x18	10	06	25	9.5	23	19
26790-08-08	3/4x16	12	08	29	10.7	28	22
26790-10-10	7/8x14	16	10	37	12.7	31	27
26790-12-12	1-1/16x12	20	12	46	14.3	48	32

注：1.表中型号材质为碳钢，K代表不带塑料挡圈。

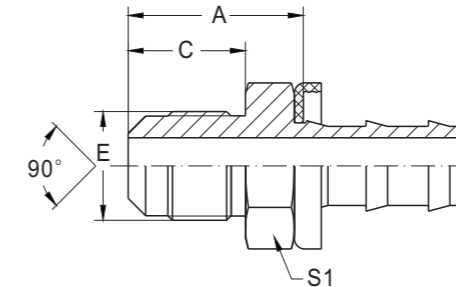
Note: 1.Type material for carbon steel in the table, K without plastic ring.

2.如需用黄铜型号改为 26790-XX-XX-B. 2.If need brass model is changed to 26790-XX-XX-B.

3.如需用不锈钢型号改为 26790-XX-XX-SS. 3.If need stainless steel models to 26790-XX-XX-SS.

插入式软管接头 PUSH-ON HOSE FITTING

美制SAE螺纹90°锥密封 SAE 90° Cone Seal



美制SAE外螺纹90°外锥面
SAE MALE 90° CONE
SAE J513

17810

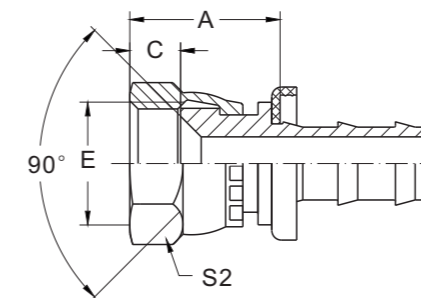
型号 PART NO.	螺纹 E THREAD E	软管 HOSE BORE		尺寸 DIMENSIONS		
		公称内径 DN	标号 DASH	A	C	S1
17810-04-04	7/16x20	6	04	21	12.7	12
17810-06-06	5/8x18	10	06	23.5	15.7	17
17810-08-08	3/4x16	12	08	29.5	19	22
17810-10-10	7/8x14	16	10	32.5	22.4	24
17810-12-12	1-1/16x14	20	12	38.4	25.4	30

注：1.表中型号材质为碳钢，K代表不带塑料挡圈。

Note: 1.Type material for carbon steel in the table, K without plastic ring.

2.如需用黄铜型号改为 17810-XX-XX-B. 2.If need brass model is changed to 17810-XX-XX-B.

3.如需用不锈钢型号改为 17810-XX-XX-SS. 3.If need stainless steel models to 17810-XX-XX-SS.



美制SAE内螺纹 90°内锥面
SAE FEMALE 90° CONE SEAL
SAE J513

27810

型号 PART NO.	螺纹 E THREAD E	软管 HOSE BORE		尺寸 DIMENSIONS		
		公称内径 DN	标号 DASH	A	C	S2
27810-04-04	7/16x20	6	04	19	9	9/16
27810-05-04	1/2x20	6	04	21	9.5	5/8
27810-06-04	5/8x18	6	04	23	11.3	3/4
27810-06-06	5/8x18	10	06	23	11.3	3/4
27810-08-06	3/4x16	10	06	25	11	7/8
27810-08-08	3/4x16	12	08	25	11	7/8
27810-10-08	7/8x14	12	08	28	13	1
27810-10-10	7/8x14	16	10	28	13	1
27810-12-12	1-1/16x14	20	12	30	14.3	1-1/4

注：1.表中型号材质为碳钢，K代表不带塑料挡圈。

Note: 1.Type material for carbon steel in the table, K without plastic ring.

2.如需用黄铜型号改为 27810-XX-XX-B. 2.If need brass model is changed to 27810-XX-XX-B.

3.如需用不锈钢型号改为 27810-XX-XX-SS. 3.If need stainless steel models to 27810-XX-XX-SS.