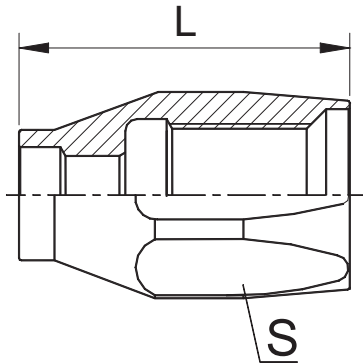


# 可拆式软管接头 HOSE FITTING

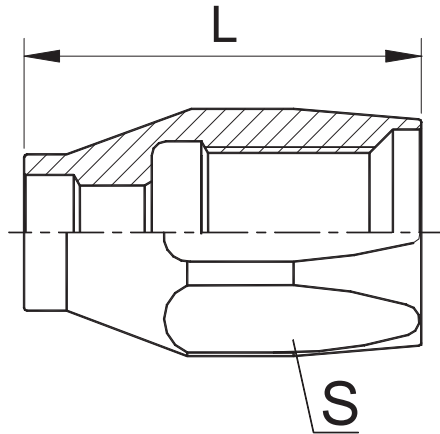


**00208**

SAE 100 R2A 软管  
FERRULE FOR SAE 100 R2A HOSE

代号 PART NO.	胶管 HOSE BORE		尺寸 DIMENSIONS		
	公称内径DN	标号DASH	L	S	
00208-04	5	04	44	22	
00208-06	8	06	49	27	
00208-08	11	08	51	30	
00208-10	13	10	53.5	32	
00208-12	16	12	63	38	
00208-16	22	16	75	46	
00208-20	28	20	87	60	

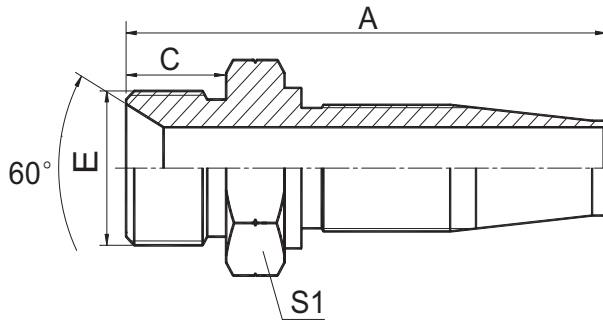
# 可拆式软管接头 HOSE FITTING



**00518**

SAE 100 R5 软管可拆式套筒  
FERRULE FOR SAE 100 R5 HOSE

代号 PART NO.	软管 标号 HOSE DASH	尺寸 DIMENSIONS			
			L	S	
00518-04	04		28	17	
00518-05	05		30.5	19	
00518-06	06		33	22	
00518-08	08		42	24	
00518-10	10		45.5	30	
00518-12	12		53.5	32	
00518-16	16		42	36	
00518-20	20		44.5	46	
00518-24	24		47	50	
00518-32	32		57	65	

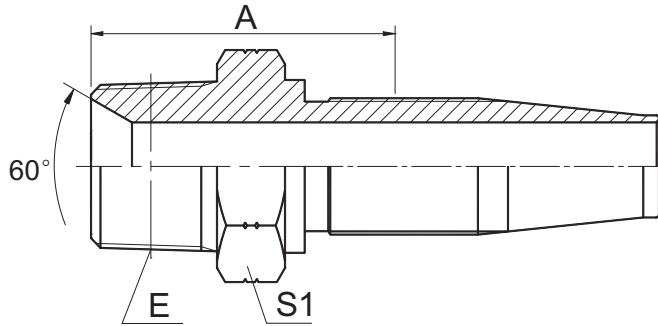


## 12618-R5

英制外螺纹 60° 内锥面  
BSPF MALE 60° CONE SEAT

代号 PART NO.	C	螺纹 E THREAD E	胶管 HOSE BORE		尺寸 DIMENSIONS			
			公称内径 DN	标号 DASH	A	C	S1	
12618-04-04(R5)		G1/4"X19	5	4			14	
12618-06-05(R5)		G3/8"X19	6	5			17	
12618-06-06(R5)		G3/8"X19	8	6			17	
12618-08-08(R5)		G1/2"X14	11	8			22	
12618-10-10(R5)		G5/8"X14	13	10			24	
12618-12-12(R5)		G3/4"X14	16	12			27	
12618-16-16(R5)		G1"X11	22	16			36	
12618-20-20(R5)		G1.1/4"X11	28	20			46	
12618-24-24(R5)		G1.1/2"X11	35	24			50	
12618-32-32(R5)		G2"X11	46	32			60	

# 可拆式软管接头 HOSE FITTING

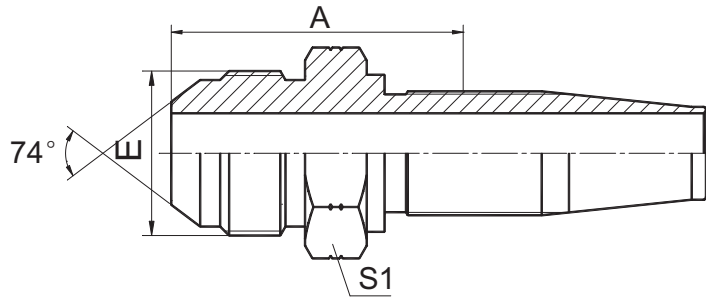


**15618-R5**

美制布锥管螺纹  
NPT MALE

代号 PART NO.	螺纹 E THREAD E	软管 标号 HOSE DASH	尺寸 DIMENSIONS			
			A		S1	
15618-02-04(R5)	Z1/8"X27	04	25.5		12	
15618-04-04(R5)	Z1/4"X18	04	30		17	
15618-04-06(R5)	Z1/4"X18	06	31		17	
15618-06-05(R5)	Z3/8"X18	05	32.9		19	
15618-06-06(R5)	Z3/8"X18	06	32		19	
15618-08-08(R5)	Z1/2"X14	08	40.5		22	
15618-12-10(R5)	Z3/4"X14	10	42.5		30	
15618-12-12(R5)	Z3/4"X14	12	43		30	
15618-16-16(R5)	Z1"X11.5	16	46.5		36	
15618-20-20(R5)	Z1.1/4"X11.5	20	51.5		46	
15618-24-24(R5)	Z1.1/2"X11.5	24	52.5		50	
15618-32-32(R5)	Z2"X11.5	32	55		65	

# 可拆式软管接头 HOSE FITTING

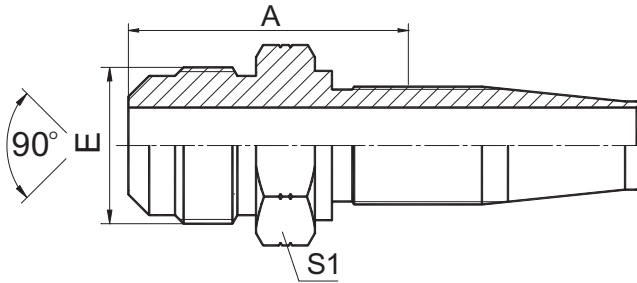


## 16718-R5

美制 JIC 外螺纹 74° 外锥面  
JIC MALE 74° CONE

代号 PART NO.	螺纹 E THREAD E	软管 标号 HOSE DASH	尺寸 DIMENSIONS			
			A		S1	
16718-04-04(R5)	7/16X20	04	29		12	
16718-06-05(R5)	9/16"X18	05	31		17	
16718-06-06(R5)	9/16"X18	06	32		17	
16718-08-06(R5)	3/4"X16	06	34.7		22	
16718-08-08(R5)	3/4"X16	08	38		22	
16718-10-10(R5)	7/8"X14	10	40.5		24	
16718-12-12(R5)	1.1/16"X12	12	45.5		30	
16718-16-16(R5)	1.5/16"X12	16	44		36	
16718-20-20(R5)	1.5/8"X12	20	49.5		46	
16718-24-24(R5)	1.7/8"X12	24	52.5		50	

# 可拆式软管接头 HOSE FITTING

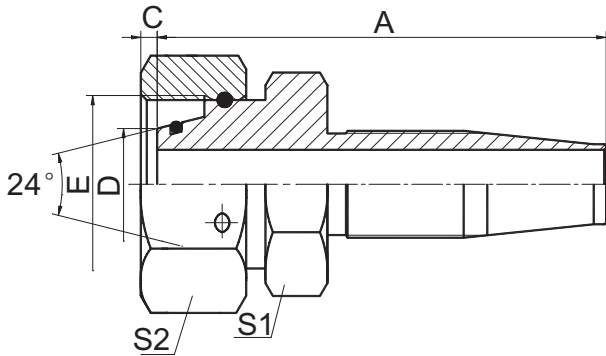


## 17818-R5

美制 SAE 外螺纹 90° 外锥面  
SAE MALE 90° CONE

代号 PART NO.	螺纹 E THREAD E	软管 标号 HOSE DASH	尺寸 DIMENSIONS			
			A		S1	
17818-06-06(R5)	5/8"X18	06	33.7		17	
17818-08-08(R5)	3/4"X16	08	42		22	
17818-12-12(R5)	1.1/16"X14	12	51		30	

# 可拆式软管接头 HOSE FITTING

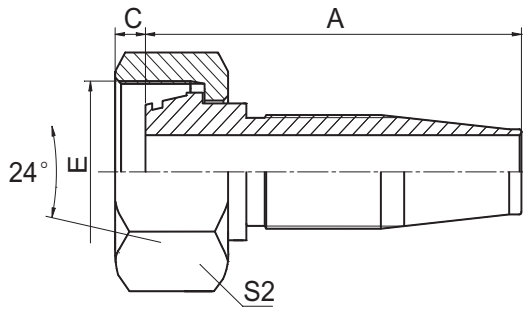


## 20418D-R5

公制内螺纹 24° 锥带 O 形圈轻系列  
METRIC FEMALE 24° CONE O-RING L.T.

代号 PART NO.	螺纹 E THREAD E	胶管 HOSE BORE		管子外径 D TUBE O.D.	尺寸 DIMENSIONS			
		公称内径 DN	标号 DASH		A	C	S1	S2
20418D-14-04(R5)	M14X1.5	5	04	8		1.4	12	17
20418D-16-05(R5)	M16X1.5	6	05	10		2.1	14	19
20418D-18-06(R5)	M18X1.5	8	06	12		1.8	17	22
20418D-22-08(R5)	M22X1.5	11	08	15		3	19	27
20418D-26-10(R5)	M26X1.5	13	10	18		2.1	27	32
20418D-30-12(R5)	M30X2	16	12	22		3.8	30	36
20418D-36-16(R5)	M36X2	22	16	28		4.5	36	41
20418D-45-16(R5)	M45X2	22	16	35		4	41	50
20418D-45-20(R5)	M45X2	28	20	35		4	41	50
20418D-52-24(R5)	M52X2	35	24	42		4	50	60

# 可拆式软管接头 HOSE FITTING

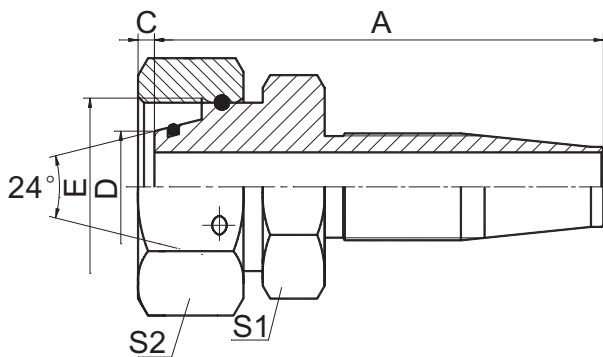


## 20418-R5T

公制内螺纹 24° 内锥面轻系列  
METRIC FEMALE 24° CONE SEAT LIGHT

代号 PART NO.	螺纹 E THREAD E	胶管 HOSE BORE		尺寸 DIMENSIONS			
		公称内径 DN	标号 DASH	A	C	S2	
20418-14-04(R5T)	M14X1.5	5	04		1.4	17	
20418-16-05(R5T)	M16X1.5	6	05		2.1	19	
20418-18-06(R5T)	M18X1.5	8	06		1.8	22	
20418-22-08(R5T)	M22X1.5	11	08		3	27	
20418-26-10(R5T)	M26X1.5	13	10		2.1	32	
20418-30-12(R5T)	M30X2	16	12		3.8	36	
20418-36-16(R5T)	M36X2	22	16		4.5	46	
20418-45-16(R5T)	M45X2	22	16		4	55	
20418-45-20(R5T)	M45X2	28	20		4	55	
20418-52-24(R5T)	M52X2	35	24		4	60	



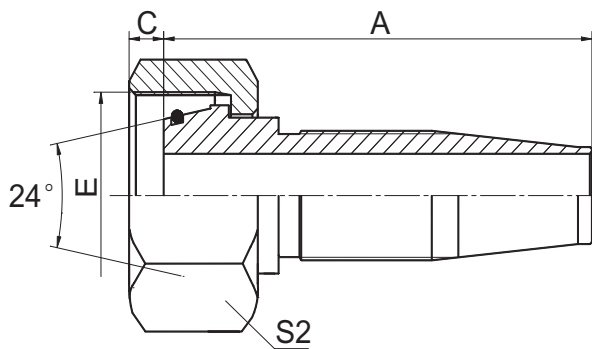


## 20518D-R5

公制内螺纹 24° 锥带 O 形圈重系列  
METRIC FEMALE 24° CONE O-RIN H.T.

代号 PART NO.	螺纹 E TH/READ E	胶管 HOSE BORE		管子外径 D	尺寸 DIMENSIONS			
		公称内径 DN	标号 DASH	TUBE O.D.	A	C	S1	S2
20518D-16-04(R5)	M14X1.5	5	04	8		1.8	14	19
20518D-16-05(R5)	M16X1.5	6	05	8		1.8	14	19
20518D-18-04(R5)	M18X1.5	5	04	10		1.5	17	22
20518D-18-06(R5)	M18X1.5	8	06	10		1.5	17	22
20518D-20-06(R5)	M20X1.5	8	06	12		2.5	17	24
20518D-22-06(R5)	M22X1.5	8	06	14		3	19	27
20518D-24-08(R5)	M24X1.5	11	08	16		3	22	30
20518D-30-10(R5)	M30X2	13	10	20		2.5	27	36
20518D-30-12(R5)	M30X2	16	12	20		2.5	27	36
20518D-36-12(R5)	M36X2	16	12	25		3.2	36	41
20518D-36-16(R5)	M36X2	22	16	25		3.2	36	41
20518D-42-16(R5)	M42X2	22	16	30		3.9	41	50
20518D-42-20(R5)	M42X2	28	20	30		3.9	41	50
20518D-52-20(R5)	M52X2	28	20	38		4.5	50	60
20518D-52-24(R5)	M52X2	35	24	38		4.5	50	60

# 可拆式软管接头 HOSE FITTING

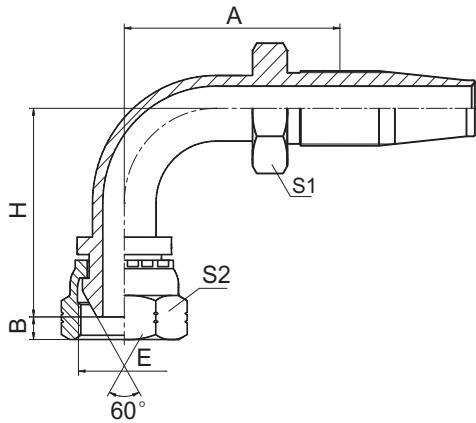


## 20518-R5T

公制内螺纹 24° 内锥面重系列  
METRIC FEMALE 24° CONE SEAT WEIGHT

代号 PART NO.	螺纹 E THREAD E	胶管 HOSE BORE		尺寸 DIMENSIONS			
		公称内径 DN	标号 DASH	A	C	S2	
20518-16-04(R5T)	M14X1.5	5	04		1.8	19	
20518-16-05(R5T)	M16X1.5	6	05		1.8	19	
20518-18-04(R5T)	M18X1.5	5	04		1.5	22	
20518-18-06(R5T)	M18X1.5	8	06		1.5	22	
20518-20-06(R5T)	M20X1.5	8	06		2.5	24	
20518-22-06(R5T)	M22X1.5	8	06		3	27	
20518-24-08(R5T)	M24X1.5	11	08		3	30	
20518-30-10(R5T)	M30X2	13	10		2.5	36	
20518-30-12(R5T)	M30X2	16	12		2.5	36	
20518-36-12(R5T)	M36X2	16	12		3.2	46	
20518-36-16(R5T)	M36X2	22	16		3.2	46	
20518-42-16(R5T)	M42X2	22	16		3.9	50	
20518-42-20(R5T)	M42X2	28	20		3.9	50	
20518-52-20(R5T)	M52X2	28	20		4.5	60	
20518-52-24(R5T)	M52X2	35	24		4.5	60	

# 扣压式软管接头 HOSE FITTING

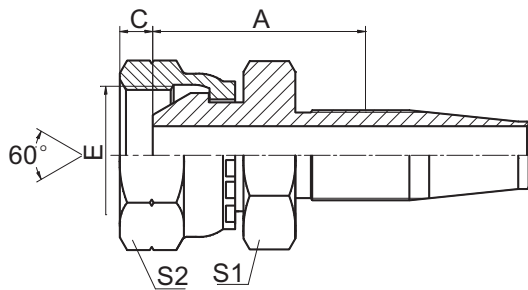


## 21698D

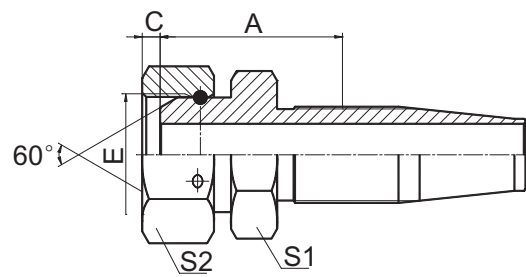
90° 美制 NPSM 内螺纹 60° 外锥面  
90° NPSM FEMALE 60° CONE

代号 PART NO.	螺纹 E THREAD E	胶管 HOSE BORE		尺寸 DIMENSIONS				
		公称内径 DN	标号 DASH	A	B	H	S1	S2
21698D-04-04(R5)	1/4"X18	6	04	38.5	4.6	40.5	14	19
21698D-06-05(R5)	3/8"X18	8	05	43.4	6	43	14	22
21698D-06-06(R5)	3/8"X18	10	06	44.8	6	45.3	17	22
21698D-08-08(R5)	1/2"X14	12	08	53	7.5	53.2	19	27
21698D-12-10(R5)	3/4"X14	16	10	66.5	8.9	53.5	24	32
21698D-12-12(R5)	3/4"X14	20	12	79.5	8.9	69.1	27	32
21698D-16-16(R5)	1"X11.5	25	16	86.5	10.5	75	32	41
21698D-20-20W(R5)	1.1/4"X11.5	32	20	100.5	11.2	86	41	50
21698D-24-24W(R5)	1.1/2"X11.5	40	24	108	11.2	101.5	46	55
21698D-32-32W(R5)	2"X11.5	50	32	128.8	11.2	124.5	65	70

# 可拆式软管接头 HOSE FITTING



**22618D-R5**

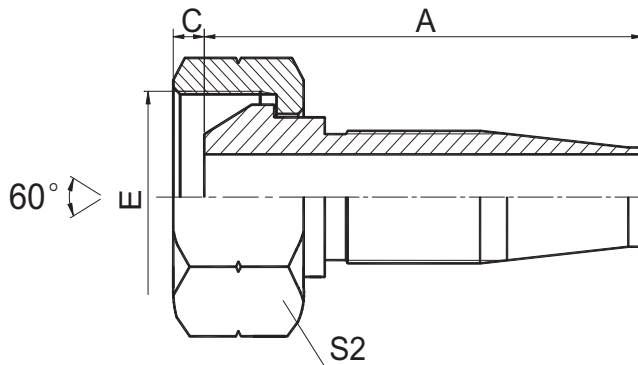


**22618D-R5W**

英制内螺纹 60° 外锥面  
BSP FEMALE 60° CONE

代号 PART NO.	螺纹 E THREAD E	软管 标号 HOSE DASH	尺寸 DIMENSIONS			
			A	C	S1	S2
22618D-04-04(R5)	G1/4"X19	04	26	5.5	14	19
22618D-06-05(R5)	G3/8"X19	05	29.1	6.3	17	22
22618D-06-06(R5)	G3/8"X19	06	30	6.3	17	22
22618D-08-08(R5)	G1/2"X14	08	35	7.5	19	27
22618D-10-10(R5)	G5/8"X14	10	35.5	9.5	22	30
22618D-12-12(R5)	G3/4"X14	12	38.5	10.9	27	32
22618D-16-16(R5)	G1"X11	16	37	11.7	32	41
22618D-20-20(R5)W	G1.1/4"X11	20	41.5	11	41	50

# 可拆式软管接头 HOSE FITTING

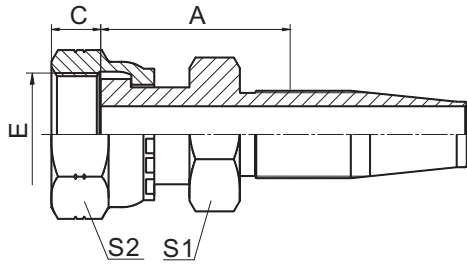


## 22618-R5T

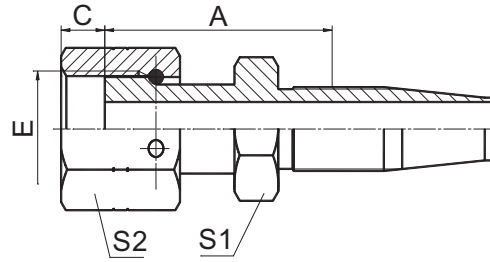
英制内螺纹 60° 外锥面  
BSPP FEMALE 60° CONE

代号 PART NO.	螺纹 E THREAD E	胶管 HOSE BORE		尺寸 DIMENSIONS			
		公称内径 DN	标号 DASH	A	C	S2	
22618-04-04(R5T)	G1/4"X19	5	04		5.5	19	
22618-06-05(R5T)	G3/8"X19	6	05		6.3	22	
22618-06-06(R5T)	G3/8"X19	8	06		6.3	22	
22618-08-08(R5T)	G1/2"X14	11	08		7.5	27	
22618-10-10(R5T)	G5/8"X14	13	10		9.5	30	
22618-12-12(R5T)	G3/4"X14	16	12		10.9	32	
22618-16-16(R5T)	G1"X11	22	16		11.7	41	
22618-20-20(R5T)	G1.1/4"X11	28	20		11	50	
22618-24-24(R5T)	G1.1/2"X11	35	24		13	55	

# 可拆式软管接头 HOSE FITTING



**24218D-R5**

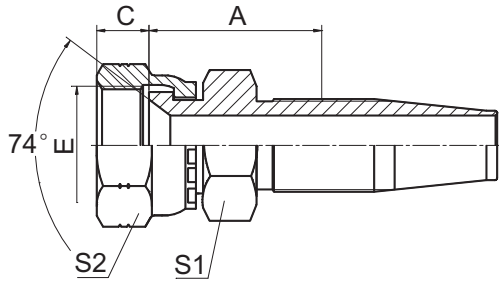


**24218D-R5W**

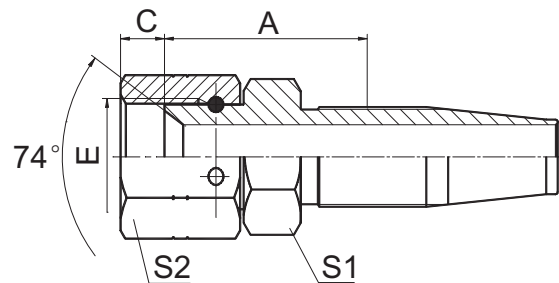
美制ORFS内螺纹平面双六角  
ORFS FEMALE FLAT SEAT DOUBLE HEXAGON

代号 PART NO.	螺纹 E THREAD E	软管 标号 HOSE DASH	尺寸 DIMENSIONS				
			A	C	S1	S2	
24218D-04-04(R5)	9/16"X18	04		8.5	14	19	
24218D-04-05(R5)	9/16"X18	05		8.5	14	19	
24218D-06-06(R5)	11/16"X16	06		10	17	22	
24218D-08-08(R5)	13/16"X16	08		11	19	27	
24218D-10-10(R5)	1"X14	10		13.5	24	30	
24218D-12-12(R5)	1.3/16"X12	12		15	30	36	
24218D-16-16(R5)	1.7/16"X12	16		15	36	41	
24218D-20-20(R5)W	1.11/16"X12	20		15	41	50	
24218D-24-24(R5)W	2"X12	24		16	50	60	

# 可拆式软管接头 HOSE FITTING



**26718D-R5**

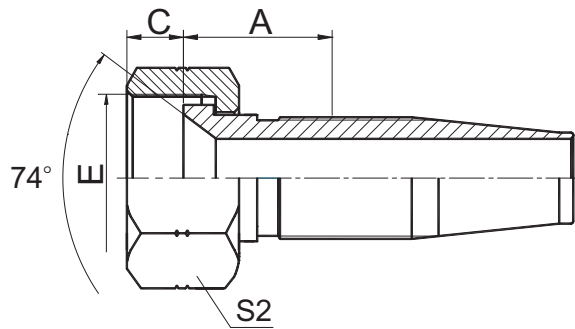


**26718D-R5W**

美制 JIC 内螺纹 74° 内锥面  
JIC FEMALE 74° CONE SEAT

代号 PART NO.	螺纹 E THREAD E	软管 标号 HOSE DASH	尺寸 DIMENSIONS			
			A	C	S1	S2
26718D-04-04(R5)	7/16"X20	04	22	9	14	15
26718D-05-05(R5)	1/2"X20	05	25.4	9.5	14	17
26718D-06-06(R5)	9/16"X18	06	24.5	10.5	17	19
26718D-08-08(R5)	3/4"X16	08	31.5	11	22	24
26718D-10-10(R5)	7/8"X14	10	34	13	27	27
26718D-12-12(R5)	1.1/16"X12	12	37	15	32	32
26718D-16-16(R5)	1.5/16"X12	16	33.5	16	38	41
26718D-20-20(R5)W	1.5/8"X12	20	41.5	17	41	50
26718D-24-24(R5)W	1.7/8"X12	24	43	20	46	55
26718D-32-32(R5)W	2.1/2"X12	32	45.5	23.5	65	75

# 可拆式软管接头 HOSE FITTING



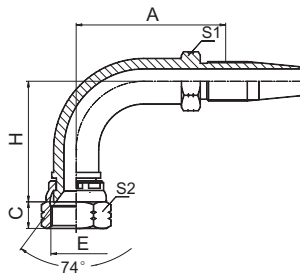
## 26718-R5T

美制 JIC 内螺纹 74° 内锥面  
JIC FEMALE 74° CONE SEAT

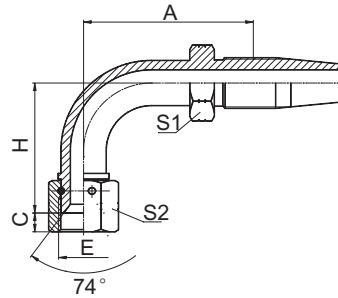
代号 PART NO.	螺纹 E THREAD E	软管 标号 HOSE DASH	尺寸 DIMENSIONS			
			A	C	S2	
26718-04-04(R5T)	7/16"X20	04	20.5	9	15	
26718-05-05(R5T)	1/2"X20	05	23.4	9.5	17	
26718-06-06(R5T)	9/16"X18	06	22.5	10.5	19	
26718-08-08(R5T)	3/4"X16	08	23.5	11	24	
26718-10-10(R5T)	7/8"X14	10	24	13	27	
26718-12-12(R5T)	1.1/16"X12	12	26	15	32	
26718-16-16(R5T)	1.5/16"X12	16	22.5	16	41	
26718-20-20(R5T)	1.5/8"X12	20	24	17	50	
26718-24-24(R5T)	1.7/8"X12	24	24	20	55	
26718-32-32(R5T)	2.1/2"X12	32	26	23.5	75	



# 可拆式软管接头 HOSE FITTING



**26798D-R5**

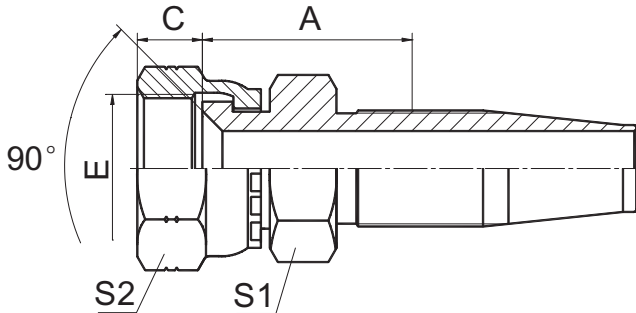


**26798D-R5W**

90° 美制 JIC 内螺纹 74° 内锥面  
90° JIC FEMALE 74° CONE SEAT

代号 PA/RT NO.	螺纹 E TH/READ E	软管 标号 HOSE DASH	尺寸 DIMENSIONS				
			A	C	H	S1	S2
26798D-04-04(R5)	7/16"X20	04	38.5	9	33.5	14	15
26798D-05-05(R5)	1/2"X20	05	43.4	9.5	37	14	17
26798D-06-06(R5)	9/16"X18	06	44.8	10.5	39.3	17	19
26798D-08-08(R5)	3/4"X16	08	53	11	47.5	19	24
26798D-10-10(R5)	7/8"X14	10	66.5	13	52.5	24	27
26798D-12-12(R5)	1.1/16"X12	12	79.5	15	63.5	27	32
26798D-16-16(R5)	1.5/16"X12	16	86.5	16	70	32	41
26798D-20-20(R5)W	1.5/8"X12	20	100.5	17	85	41	50
26798D-24-24(R5)W	1.7/8"X12	24	121	20	97.5	46	55
26798D-32-32(R5)W	2.1/2"X12	32	143.3	23.5	118.8	65	75

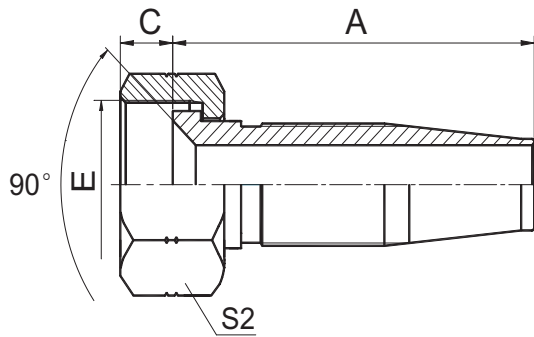
# 可拆式软管接头 HOSE FITTING



## 27818D-R5

美制 SAE 内螺纹 90° 内锥面  
SAE FEMALE 90° CONE SEAT

代号 PA/RT NO.	螺纹 E TH/READ E	软管 标号 HOSE DASH	尺寸 DIMENSIONS			
			A	C	S1	S2
27818D-04-04(R5)	7/16"X20	04	22	9	14	15
27818D-05-05(R5)	1/2"X20	05	25.4	9	14	17
27818D-06-06(R5)	5/8"X18	06	26	11.3	17	22
27818D-08-08(R5)	3/4"X16	08	31.5	11	22	24
27818D-10-10(R5)	7/8"X14	10	34	13	27	27
27818D-12-12(R5)	1.1/16"X14	12	37	14.3	32	32

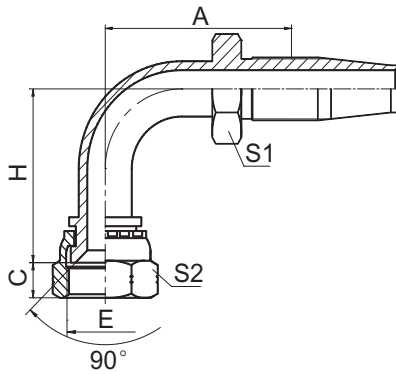


## 27818-R5T

美制 SAE 内螺纹 90° 内锥面  
SAE FEMALE 90° CONE SEAT

代号 PART NO.	螺纹 E THREAD E	胶管 HOSE BORE		尺寸 DIMENSIONS			
		公称内径 DN	标号 DASH	A	C	S2	
27818-04-04(R5T)	7/16"X20	5	04		9	15	
27818-05-05(R5T)	1/2"X20	6	05		9	17	
27818-06-06(R5T)	5/8"X18	8	06		11.3	22	
27818-08-08(R5T)	3/4"X16	11	08		10.5	24	
27818-10-10(R5T)	7/8"X14	13	10		12	27	
27818-12-12(R5T)	1.1/16"X14	16	12		14.3	32	

# 扣压式软管接头 HOSE FITTING

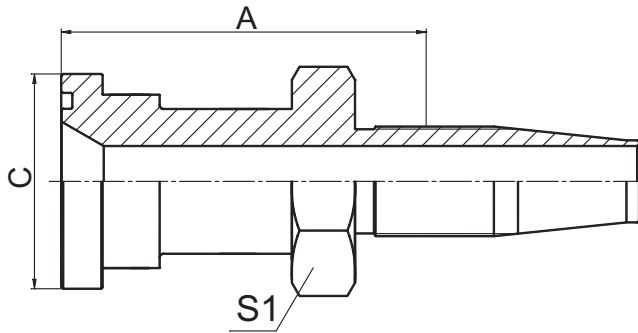


## 27898D(R5)

90° 美制 SAE 内螺纹 90° 内锥面  
90° SAE FEMALE 90° CONE SEAT

代号 PART NO.	螺纹 E THREAD E	胶管 HOSE BORE		尺寸 DIMENSIONS				
		公称内径 DN	标号 DASH	A	C	H	S1	S2
27898D-06-06(R5)	5/8"X18	10	06	44.8	11.3	40.8	17	22
27898D-08-08(R5)	3/4"X16	12	08	53	10.5	47.5	19	24

# 可拆式软管接头 HOSE FITTING

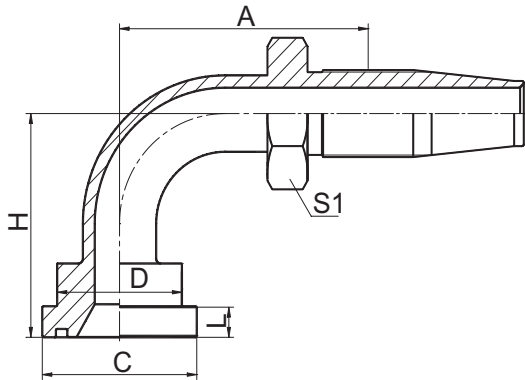


## 87318D-R5

SAE 法兰 3000 PSI  
SAE FLANGE 3000 PSI

代号 PART NO.	法兰型号 FLANGE SIZE	胶管 HOSE BORE		尺寸 DIMENSIONS				
		公称内径 DN	标号 DASH	S1	A	C		
87318D-08-08(R5)	1/2"	11	08	22	54	30.2		
87318D-12-12(R5)	3/4"	16	12	27	55	38.1		
87318D-16-16(R5)	1"	22	16	32	55	44.4		
87318D-20-20(R5)	1.1/4"	28	20	41	58	50.8		
87318D-24-24(R5)	1.1/2"	35	24	46	70	60.3		
87318D-32-32(R5)	2"	46	32	60	72	71.4		

# 扣压式软管接头 HOSE FITTING

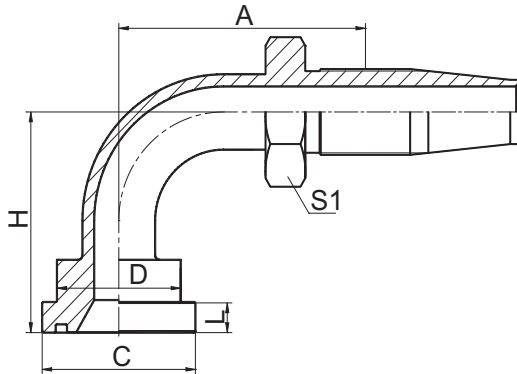


## 87398D(R5)

90° SAE 法兰 3000PSI  
90° SAE FLANGE 3000PSI

代号 PART NO.	法兰型号 FLANGE SIZE	胶管 HOSE BORE		尺寸 DIMENSIONS					
		公称内径 DN	标号 DASH	A	C	D	H	L	S1
87398D-08-08(R5)	1/2"	12	08	53	30.2	24	47	6.73	27
87398D-12-10(R5)	3/4"	16	10	66.5	38.1	32	52.5	6.73	32
87398D-12-12(R5)	3/4"	20	12	79.5	38.1	32	62	6.73	32
87398D-16-12(R5)	1"	20	12	79.5	44.4	38	62	8	32
87398D-16-16(R5)	1"	25	16	86.5	44.4	38	67.5	8	41
87398D-20-16(R5)	1.1/4"	25	16	86.5	50.8	43	67.5	8	41
87398D-20-20(R5)	1.1/4"	32	20	100.5	50.8	43	78.5	8	50
87398D-24-20(R5)	1.1/2"	32	20	100.5	60.3	50	80.5	8	50
87398D-24-24(R5)	1.1/2"	40	24	108	60.3	50	94	8	55
87398D-32-24(R5)	2"	40	24	108	71.4	62	94	9.53	55
87398D-32-32(R5)	2"	50	32	128.8	71.4	62	114.3	9.53	70

# 扣压式软管接头 HOSE FITTING



## 87698D(R5)

90° SAE 法兰 6000 PSI  
90° SAE FLANGE 6000 PSI

代号 PART NO.	法兰型号 FLANGE SIZE	胶管 HOSE BORE		尺寸 DIMENSIONS					
		公称内径 DN	标号 DASH	A	C	D	H	L	S1
87698D-08-08(R5)	1/2"	12	08	53	31.7	24	48	7.75	27
87698D-12-10(R5)	3/4"	16	10	66.5	41.3	32	56.5	8.76	32
87698D-12-12(R5)	3/4"	20	12	79.5	41.3	32	66	8.76	32
87698D-16-12(R5)	1"	20	12	79.5	47.6	38	69	9.53	32
87698D-16-16(R5)	1"	25	16	86.5	47.6	38	74.5	9.53	41
87698D-20-16(R5)	1.1/4"	25	16	86.5	54	44	78.5	10.29	41
87698D-20-20(R5)	1.1/4"	32	20	100.5	54	44	89.5	10.29	50
87698D-24-20(R5)	1.1/2"	32	20	100.5	63.5	51	94.5	12.57	50
87698D-24-24(R5)	1.1/2"	40	24	108	63.5	51	108	12.57	55
87698D-32-24(R5)	2"	40	24	108	79.4	67	116	12.57	55
87698D-32-32(R5)	2"	50	32	128.8	79.4	67	136.3	12.57	70