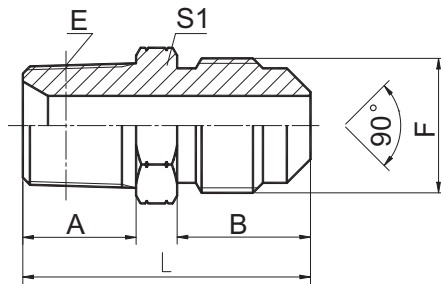


过渡接头 ADAPTER

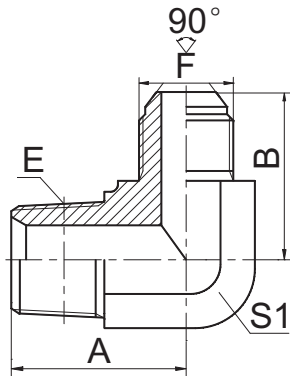


1NP

布锥管外螺纹 / SAE 外螺纹 90° 外锥
 NPT MALE / SAE MALE 90° CONE

代号 PART NO.	螺纹 THREAD		尺寸 DIMENSIONS						
	E	F			A	B	L	S1	
1NP-04	Z1/4"X18	7/16"X20			15	12.7	33.7	17	
1NP-04-05	Z1/4"X18	1/2"X20			15	14.2	35.2	17	
1NP-04-06	Z1/4"X18	5/8"X18			15	15.7	36.7	17	
1NP-06-04	Z3/8"X18	7/16"X20			16	12.7	34.7	19	
1NP-06	Z3/8"X18	5/8"X18			16	15.7	37.5	19	
1NP-06-08	Z3/8"X18	3/4"X16			16	19	43	22	
1NP-08-06	Z1/2"X14	5/8"X18			19.5	15.7	43.5	24	
1NP-08	Z1/2"X14	3/4"X16			19.5	19	46.5	24	
1NP-08-10	Z1/2"X14	7/8"X14			19.5	22.4	50	24	
1NP-12	Z3/4"X14	1.1/16"X14			19.5	25.4	55	30	

过渡接头 ADAPTER

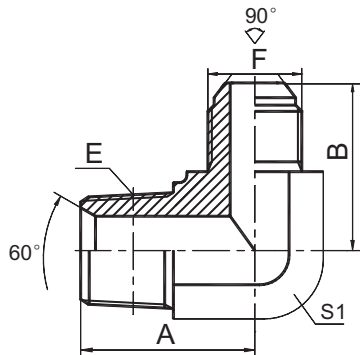


1NP9

90° 布锥管外螺纹 / SAE 外螺纹 90° 外锥
 90° NPT MALE / SAE MALE 90° CONE

代号 PART NO.	螺纹 THREAD		尺寸 DIMENSIONS						
	E	F			A	B	S1		
1NP9-04	Z1/4"X18	7/16"X20			25.5	25	14		
1NP9-04-05	Z1/4"X18	1/2"X20			25.5	26.5	14		
1NP9-04-06	Z1/4"X18	5/8"X18			26.5	30	16		
1NP9-06-04	Z3/8"X18	7/16"X20			31	27.5	19		
1NP9-06	Z3/8"X18	5/8"X18			31	31	19		
1NP9-06-08	Z3/8"X18	3/4"X16			32.5	37	22		
1NP9-08-06	Z1/2"X14	5/8"X18			37.3	33.5	22		
1NP9-08	Z1/2"X14	3/4"X16			37.3	37	22		
1NP9-08-10	Z1/2"X14	7/8"X14			37.3	42	22		
1NP9-12	Z3/4"X14	1.1/16"X14			44	46.5	27		

过渡接头 ADAPTER

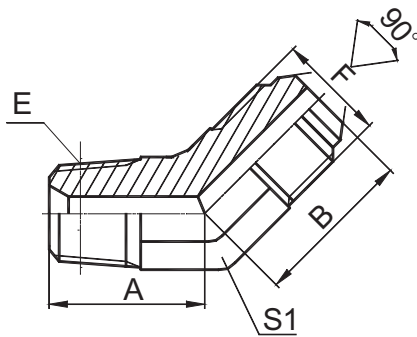


1NP9-M

90° 布锥管外螺纹 / 公制外螺纹 90° 外锥
 90° NPT MALE/METRIC MALE 90° CONE

代号 PART NO.	螺纹 THREAD		尺寸 DIMENSIONS						
	E	F			A	B	S1		
1NP9-02-10M	Z1/8"X27	M10X1			21	24	11		
1NP9-04-12AM	Z1/4"X18	M12X1			25.5	27	14		
1NP9-04-12M	Z1/4"X18	M12X1.5			25.5	28	14		
1NP9-04-14M	Z1/4"X18	M14X1.5			25.5	28	14		
1NP9-06-16M	Z3/8"X18	M16X1.5			31	32.5	19		
1NP9-08-20M	Z1/2"X14	M20X1.5			36.7	37	22		
1NP9-08-22M	Z1/2"X14	M22X1.5			36.7	38	22		

过渡接头 ADAPTER

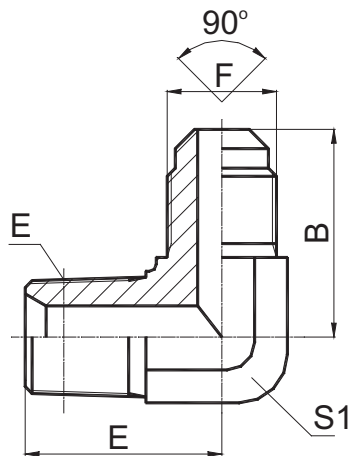


1TP4-SP

45° 英锥管外螺纹 / 美制 SAE 外螺纹 90° 外锥
 45° BSPT MALE/SAE MALE 90° CONE

代号 PART NO.	螺纹 THREAD		尺寸 DIMENSIONS						
	E	F			A	B	S1		
1TP4-04-06SP	R1/4 "X19	5/8" X18			21	25	16		
1TP4-06SP	R3/8 "X19	5/8" X18			23	25	16		

过渡接头 ADAPTER

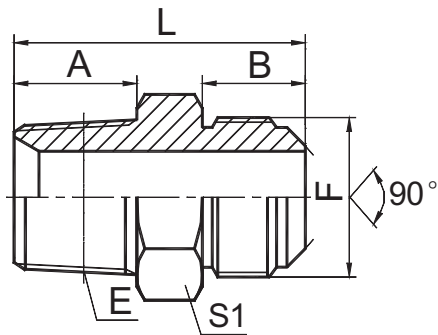


1TP9-SP

90° 英锥管外螺纹 / 美制 SAE 外螺纹 90° 外锥
 90° BSPT MALE/SAE MALE 90° CONE

代号 PART NO.	螺纹 THREAD		尺寸 DIMENSIONS						
	E	F			A	B	S1		
1TP9-04-06SP	R1/4 "X19	5/8" X18			26.5	30	16		
1TP9-06SP	R3/8 "X19	5/8" X18			28.5	30	16		
1TP9-08-06SP	R1/2 "X14	5/8" X18			36	33.5	22		

过渡接头 ADAPTER

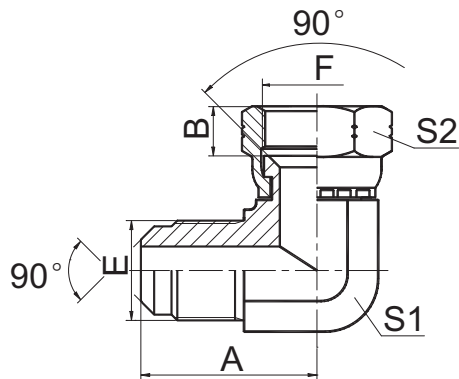


1TP-SP

英锥管外螺纹 / 美制 SAE 外螺纹 90° 外锥
 BSPT MALE/SAE MALE 90° CONE

代号 PART NO.	螺纹 THREAD		尺寸 DIMENSIONS						
	E	F			A	B	L	S1	
1TP-04SP	R1/4"X19	7/16"X20			14.5	12.7	33	17	
1TP-04-06SP	R1/4"X19	5/8"X18			14.5	15.7	36	17	
1TP-06SP	R3/8"X19	5/8"X18			15	15.7	37	19	
1TP-06-10SP	R3/8"X19	7/8"X14			15	22.4	45.5	24	
1TP-08SP	R1/2"X14	3/4"X16			20	19	46.5	22	
1TP-08-06SP	R1/2"X14	5/8"X18			20	15.7	43.5	22	
1TP-08-10SP	R1/2"X14	7/8"X14			20	22.4	50	24	
1TP-08-12SP	R1/2"X14	1.1/16"X14			20	25.4	55	30	

过渡接头 ADAPTER

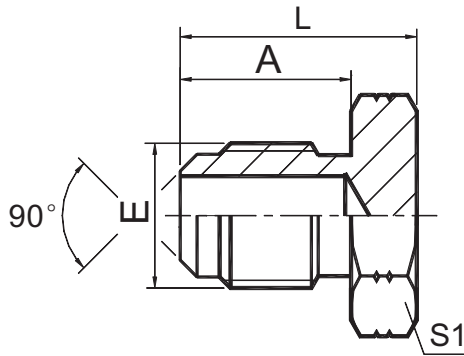


2P9

90° SAE 外螺纹 /SAE 内螺纹
 90° SAE MALE/SAE FEMALE

代号 PART NO.	螺纹 THREAD		尺寸 DIMENSIONS						
	E	F			A	B	S1	S2	
2P9-04	7/16"X20	7/16"X20			22.5	9	11	17	
2P9-06	5/8"X18	5/8"X18			30	11.3	16	22	
2P9-08	3/4"X16	3/4"X16			35	10.5	19	24	
2P9-12	1.1/16"X14	1.1/16"X14			46.5	14.3	27	32	

过渡接头 ADAPTER

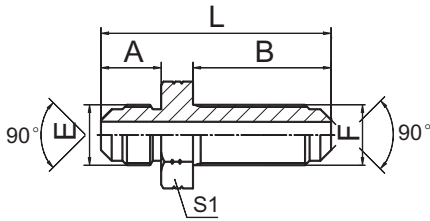


4P

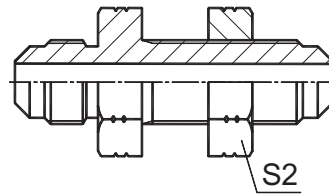
美制 SAE 外螺纹 90° 外锥堵头 SAE J513
 SAE MALE 90° CONE PLUG SAE J513

代号 PART NO.	螺纹 THREAD				尺寸 DIMENSIONS				
	E				A	L	S1		
4P-04	7/16"X20				12.7	18.5	14		
4P-05	1/2"X20				14.2	20	14		
4P-06	5/8"X18				15.7	22	17		
4P-08	3/4"X16				19	27	22		
4P-10	7/8"X14				22.4	30.5	24		
4P-12	1.1/16"X14				25.4	35.5	30		

过渡接头 ADAPTER



6P



6P-LN

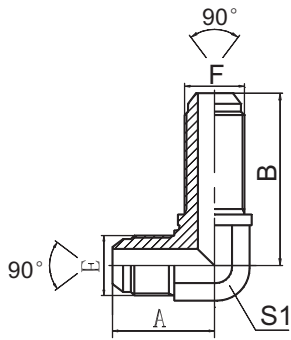
SAE 外螺纹 90° 外锥过板接头
 SAE MALE 90° CONE BULKHEAD

代号 PART NO.	螺纹 THREAD		尺寸 DIMENSIONS					
	E	F	A	B	L	S1	S2	
6P-06	5/8"X18	5/8"X18	15.7	36	60	24	24	

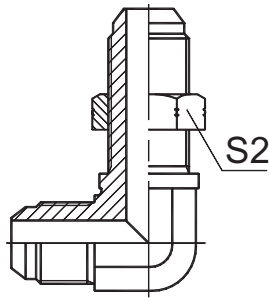
注：如需带锁螺母整套订货，则请在代号后加“LN”，如6P-06LN。

Note: In case if you are interested to order the adapter in complete set with lock nut , it is necessary to insert suffix "LN" after our part no.,for example 6P-06LN.

过渡接头 ADAPTER



6P9



6P9-LN

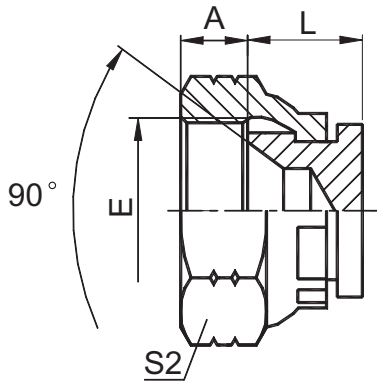
90° 美制 SAE 外螺纹过板接头
 90° SAE MALE BULKHEAD

代号 PART NO.	螺纹 THREAD		尺寸 DIMENSIONS					
	E	F	A	B	S1	S2		
6P9-06	5/8"X18	5/8"X18	30.5	54.5	19	24		

注：如需带锁螺母整套订货，则请在代号后加“LN”，如6P9-06LN。

Note: In case if you are interested to order the adapter in complete set with lock nut , it is necessary to insert suffix "LN" after our part no.,for example 6P9-06LN.

过渡接头 ADAPTER

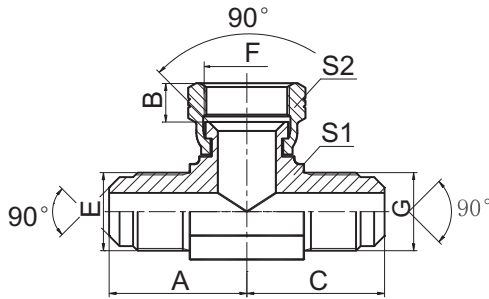


9P

美制 SAE 内螺纹 90° 内锥堵头
 SAE FEMALE 90° SEATPLUG

代号 PART NO.	螺纹 THREAD			尺寸 DIMENSIONS				
	E			A	L	S2		
9P-04	7/16"X20			9	10	17		
9P-05	1/2"X20			9	11	17		
9P-06	5/8"X18			11.3	12.5	22		
9P-08	3/4"X16			10.3	13	24		
9P-10	7/8"X14			12	14	27		
9P-12	1.1/16"X14			14.3	15.5	32		

过渡接头 ADAPTER

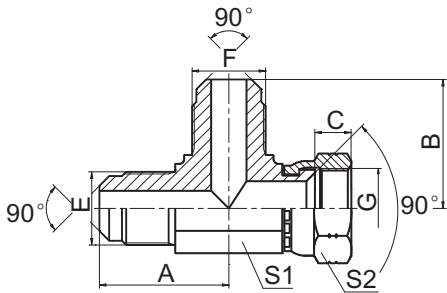


BP

SAE 外螺纹 / SAE 内螺纹 / SAE 外螺纹
 SAE MALE / SAE FEMALE / SAE MALE

代号 PART NO.	螺纹 THREAD			尺寸 DIMENSIONS				
	E	F	G	A	B	C	S1	S2
BP-04	7/16"X20	7/16"X20	7/16"X20	22.5	9	22.5	11	17
BP-06	5/8"X18	5/8"X18	5/8"X18	30	11.3	30	16	22
BP-08	3/4"X16	3/4"X16	3/4"X16	35	10.5	35	19	24
BP-12	1.1/16"X14	1.1/16"X14	1.1/16"X14	46.5	14.3	46.5	27	32

过渡接头 ADAPTER



CP

SAE 外螺纹 / SAE 外螺纹 / SAE 内螺纹
 SAE MALE / SAE MALE / SAE FEMALE

代号 PART NO.	螺纹 THREAD			尺寸 DIMENSIONS					
	E	F	G	A	B	C	S1	S2	
CP-04	7/16"X20	7/16"X20	7/16"X20	22.5	22.5	9	11	17	
CP-06	5/8"X18	5/8"X18	5/8"X18	30	30	11.3	16	22	
CP-08	3/4"X16	3/4"X16	3/4"X16	35	35	10.5	19	24	
CP-12	1.1/16"X14	1.1/16"X14	1.1/16"X14	46.5	46.5	14.3	27	32	